



# NORGREN EXCELON<sup>®</sup> FILTER-LUBRICATOR COMBINATION UNITS

C72C-2AN  
AL3-NNN-QLN  
**\$88**



C72C-2AN-AL3-NNN-QLN,  
\$88, shown smaller than  
actual size.

C74C-3AN-AD3-NNN-QDN, \$175,  
shown smaller than actual size.

- True Modularity with Norgren Quikclamp<sup>®</sup> Connections
- Quick Release Bayonet Bowl
- Flow Sensor Design Provides a Nearly Constant Oil/Air Ratio Over a Wide Range of Air Flows

- Highly Visible, Prismatic Liquid Level Indicator Lens
- All Around (360°) Visibility of the Sight-Feed Dome Simplifies Installation and Adjustment

- Use Micro-Fog Models in Applications Containing One or More Points of Lubrication
- Use Oil-Fog Models to Lubricate a Single Tool, Cylinder, or Other Air Driven Device



## SPECIFICATIONS

Fluid: Compressed Air

Maximum Pressure:

Transparent Bowl: 10 bar (150 psig)

Metal Bowl:

Manual or Semiautomatic Drain:

17 bar (250 psig)

Automatic Drain: 10 bar (150 psig)

Operating Temperature\*:

Transparent Bowl: -20 to 50°C

(0 to 125°F)

Metal Bowl: -20 to 65°C (0 to 150°F)

Particle Removal: 5 or 40 µm filter element

MATERIALS

Body: Zinc

Transparent Bowl: Polycarbonate

Guard: Zinc

Metal Bowl Liquid Level

Indicator Lens: Transparent nylon

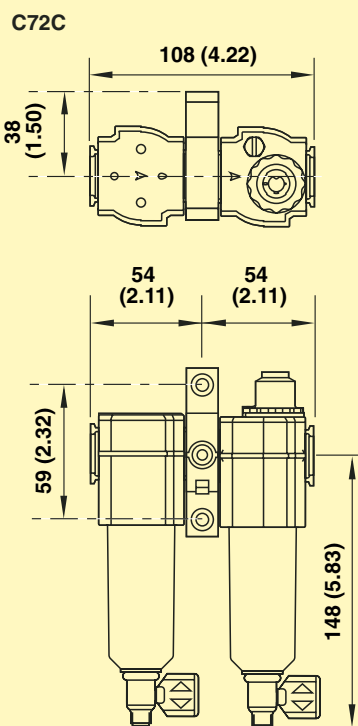
Element: Sintered polypropylene

Sight-Feed Dome: Transparent nylon

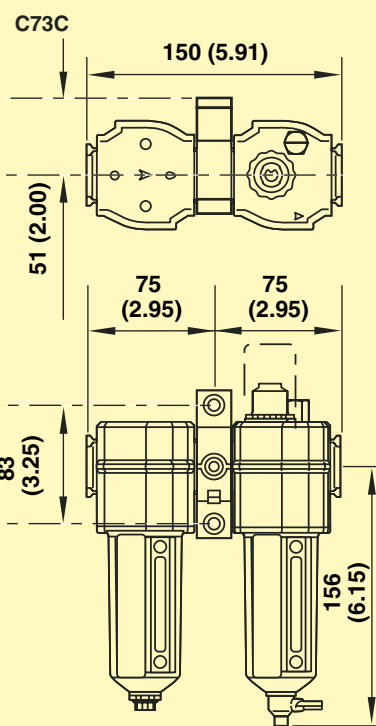
Elastomers: Neoprene and nitrile

\* Air supply must be dry enough to avoid ice formation at temperatures below 2°C (35°F).

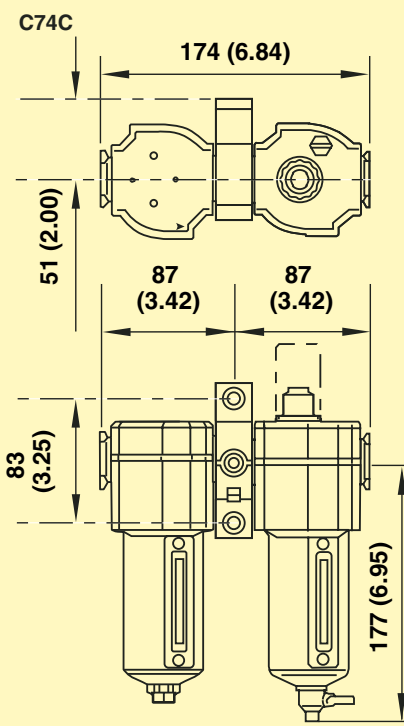
Standard Micro-Fog Type C72C,  
Standard Oil-Fog Type C72D.  
Shown with optional Quicklamp®  
wall bracket



Standard Micro-Fog Type C73C,  
Standard Oil-Fog Type C73D.  
Shown with optional Quicklamp®  
wall bracket



Standard Micro-Fog Type C74C,  
Standard Oil-Fog Type C74D.  
Shown with optional Quicklamp®  
wall bracket



Dimensions in mm (in)

## To Order (Specify Model Number)

## MOST POPULAR MODELS HIGHLIGHTED!

MODEL NO.	PRICE	PORT SIZE (in)	COMBINATION TYPE	WEIGHT kg (lb)
C72C-2AN-AL3-NNN-QLN	\$88	¼	Standard micro-fog filter-lubricator combo	1.04 (2.3)
C73C-2AN-AD3-NNN-QDN	143	¼	Standard micro-fog filter-lubricator combo	1.18 (2.6)
C73C-3AN-AD3-NNN-QDN	143	⅜	Standard micro-fog filter-lubricator combo	1.18 (2.6)
C73C-4AN-AD3-NNN-QDN	143	½	Standard micro-fog filter-lubricator combo	1.18 (2.6)
C74C-3AN-AD3-NNN-QDN	175	⅜	Standard micro-fog filter-lubricator combo	1.80 (3.97)
C74C-4AN-AD3-NNN-QDN	175	½	Standard micro-fog filter-lubricator combo	1.74 (3.84)

Notes: Models include PTF threads. Filter includes automatic drain, transparent bowl without guard and a 40 µm filter element.

Lubricator is a micro-fog model with ¼ turn manual drain and long transparent bowl without guard.

Ordering Examples: C73C-2AN-AD3-NNN-QDN, combination filter-lubricator, includes a standard micro-fog lubricator with ⅜" PTF ports, automatic filter drain, metal filter bowl with liquid level indicator, 40 µm filter, manual ¼ turn drain and metal lubricator bowl with liquid level indicator, \$143. C74C-3AN-AD3-NNN-QDN, combination filter-lubricator, includes a standard micro-fog lubricator with ⅜" PTF ports, automatic filter drain, metal filter bowl with liquid level indicator, 40 µm filter, manual ¼ turn drain and metal lubricator bowl with liquid level indicator, \$175. See accessories listing on page C-108.



#### UNITED STATES

[www.omega.com](http://www.omega.com)  
1-800-TC-OMEGA  
Stamford, CT.

#### CANADA

[www.omega.ca](http://www.omega.ca)  
Laval(Quebec)  
1-800-TC-OMEGA

#### GERMANY

[www.omega.de](http://www.omega.de)  
Deckenpfronn, Germany  
0800-8266342

#### UNITED KINGDOM

[www.omega.co.uk](http://www.omega.co.uk)  
Manchester, England  
0800-488-488

#### FRANCE

[www.omega.fr](http://www.omega.fr)  
Guyancourt, France  
088-466-342

#### CZECH REPUBLIC

[www.omegaeng.cz](http://www.omegaeng.cz)  
Karviná, Czech Republic  
596-311-899

#### BENELUX

[www.omega.nl](http://www.omega.nl)  
Amstelveen, NL  
0800-099-33-44



## More than 100,000 Products Available!

### • Temperature

Calibrators, Connectors, General Test and Measurement Instruments, Glass Bulb Thermometers, Handheld Instruments for Temperature Measurement, Ice Point References, Indicating Labels, Crayons, Cements and Lacquers, Infrared Temperature Measurement Instruments, Recorders Relative Humidity Measurement Instruments, RTD Probes, Elements and Assemblies, Temperature & Process Meters, Timers and Counters, Temperature and Process Controllers and Power Switching Devices, Thermistor Elements, Probes and Assemblies, Thermocouples Thermowells and Head and Well Assemblies, Transmitters, Wire

### • Flow and Level

Air Velocity Indicators, Doppler Flowmeters, Level Measurement, Magnetic Flowmeters, Mass Flowmeters, Pitot Tubes, Pumps, Rotameters, Turbine and Paddle Wheel Flowmeters, Ultrasonic Flowmeters, Valves, Variable Area Flowmeters, Vortex Shedding Flowmeters

### • pH and Conductivity

Conductivity Instrumentation, Dissolved Oxygen Instrumentation, Environmental Instrumentation, pH Electrodes and Instruments, Water and Soil Analysis Instrumentation

### • Data Acquisition

Auto-Dialers and Alarm Monitoring Systems, Communication Products and Converters, Data Acquisition and Analysis Software, Data Loggers Plug-in Cards, Signal Conditioners, USB, RS232, RS485 and Parallel Port Data Acquisition Systems, Wireless Transmitters and Receivers

### • Pressure, Strain and Force

Displacement Transducers, Dynamic Measurement Force Sensors, Instrumentation for Pressure and Strain Measurements, Load Cells, Pressure Gauges, Pressure Reference Section, Pressure Switches, Pressure Transducers, Proximity Transducers, Regulators, Strain Gages, Torque Transducers, Valves

### • Heaters

Band Heaters, Cartridge Heaters, Circulation Heaters, Comfort Heaters, Controllers, Meters and Switching Devices, Flexible Heaters, General Test and Measurement Instruments, Heater Hook-up Wire, Heating Cable Systems, Immersion Heaters, Process Air and Duct, Heaters, Radiant Heaters, Strip Heaters, Tubular Heaters