

ELECTRONIC HYGROTHERM

NEW

ETF012 Series
£60
 All Models



- Temperature and Humidity Adjustable
- Optical Operating Display (LED)
- High Switching Capacity
- Clip Fixing

The electronic hygrotherm senses the ambient temperature and relative humidity in an enclosure with electric/electronic components, and turns on a heater (or alternatively, a fan) at either set point, helping prevent the formation of condensation in the enclosure. The LED integrated in the adjustment knob on the active controller is lit when the connected device is in operation.

SPECIFICATIONS

Switch Difference (Temperature): 2K (± 1 K tolerance) at 25°C (77°F) (50% RH)

Switch Difference (Humidity): 4% RH (± 1 % tolerance) at 25°C (77°F) (50% RH)

Reaction Time (Humidity): Approximately 5 sec

Contact Type: Change-over contact (relay)

Contact Resistance: <10 m

Service Life:

NC: >50,000 cycles

NO: >100,000 cycles

Max Switching Capacity: 24 Vdc, 4 A

Relay NC: 240 Vac, 6 (1) A output

Relay NO: 240 Vac, 8 (1.6) A output

NC: 120 Vac, 6 (1) A

NO: 120 Vac, 8 (1.6) A

EMC: Acc. to EN 55014-1-2, EN 61000-3-2, EN 61000-3-3

Optical Indicator: LED

Connection: 5-pole terminal, clamping torque 0.5Nm max; rigid wire 2.5 mm² (0.10 in²) stranded wire (with wire end ferrule) 1.5 mm² (0.06 in²)

Mounting: Clip for 35 mm (1.4") DIN rail, EN50022

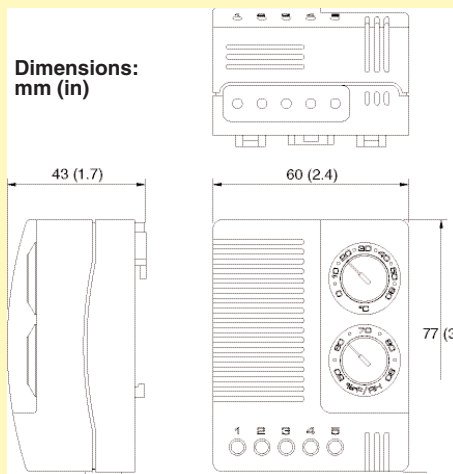
Casing: Plastic according to UL94 V-0, light grey

Dimensions: 77 x 60 x 43 mm (3.0 x 2.4 x 1.7")

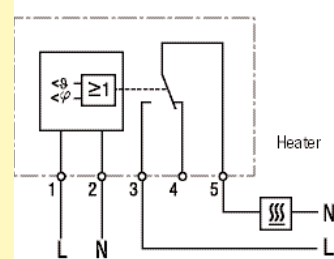
Weight: Approx. 0.20 kg (7.1 oz)



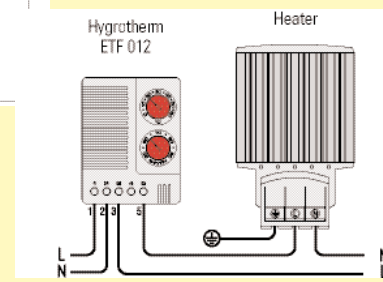
ETF01201230900, £60, shown larger than actual size.



Connection diagram



Example of connection



Fitting Position: Vertical
Operating Temperature: 0 to 60°C (32 to 140°F)
Storage Temperature: -20 to 80°C (-4 to 176°F)
Protection Type: IP20 (NEMA 2)

To Order (Specify Model Number)

AVAILABLE FOR FAST DELIVERY!

MODEL NO.	PRICE	DESCRIPTION
ETF01201230000	£60	Humidity and temp control, SPDT, 0 to 60°C, 50 to 90% RH, 230 Vac
ETF01201230901	60	Humidity and temp control, SPDT, 0 to 60°C, 50 to 90% RH, 115 Vac
ETF01201230900	60	Humidity and temp control, SPDT, 32 to 140°F, 50 to 90% RH, 115 Vac

Comes with complete operator's manual.
Ordering Example: ETF01201230900, electronic hygrotherm, £60.

omega.co.uk[®]

Your One-Stop Source for Process Measurement and Control!

Freephone 0800 488 488 | International +44(0) 161 777 6622 | Fax +44(0) 161 777 6622 | Sales@omega.co.uk

www.omega.co.uk



UNITED STATES

www.omega.com

1-800-TC-OMEGA

Stamford, CT.

CANADA

www.omega.ca

Laval(Quebec)

1-800-TC-OMEGA

GERMANY

www.omega.de

Deckenpfronn, Germany

0800-8266342

UNITED KINGDOM

www.omega.co.uk

Manchester, England

0800-488-488

FRANCE

www.omega.fr

088-466-342

CZECH REPUBLIC

www.omegaeng.cz

Karviná, Czech Republic

596-311-899

BENELUX

www.omega.nl

0800-099-33-44



More than 100,000 Products Available!

• Temperature

Calibrators, Connectors, General Test and Measurement Instruments, Handheld Instruments for Temperature Measurement, Ice Point References, Indicating Labels, Crayons, Cements and Lacquers, Infrared Temperature Measurement Instruments, Recorders, Relative Humidity Measurement Instruments, PT100 Probes, PT100 Elements, Temperature & Process Meters, Timers and Counters, Temperature and Process Controllers and Power Switching Devices, Thermistor Elements, Probes and Assemblies, Thermocouples, Thermowells and Head and Well Assemblies, Transmitters, Thermocouple Wire, RTD Probes

• Flow and Level

Air Velocity Indicators, Doppler Flowmeters, Level Measurement, Magnetic Flowmeters, Mass Flowmeters, Pitot Tubes, Pumps, Rotameters, Turbine and Paddle Wheel Flowmeters, Ultrasonic Flowmeters, Valves, Variable Area Flowmeters, Vortex Shedding Flowmeters

• pH and Conductivity

Conductivity Instrumentation, Dissolved Oxygen Instrumentation, Environmental Instrumentation, pH Electrodes and Instruments, Water and Soil Analysis Instrumentation

• Data Acquisition

Auto-Dialers and Alarm Monitoring Systems, Communication Products and Converters, Data Acquisition and Analysis Software, Data Loggers Plug-in Cards, Signal Conditioners, USB, RS232, RS485 and Parallel Port Data Acquisition Systems, Wireless Transmitters and Receivers

• Pressure, Strain and Force

Displacement Transducers, Dynamic Measurement Force Sensors, Instrumentation for Pressure and Strain Measurements, Load Cells, Pressure Gauges, Pressure Reference Section, Pressure Switches, Pressure Transducers, Proximity Transducers, Regulators, Pressure Transmitters, Strain Gauges, Torque Transducers, Valves

• Heaters

Band Heaters, Cartridge Heaters, Circulation Heaters, Comfort Heaters, Controllers, Meters and Switching Devices, Flexible Heaters, General Test and Measurement Instruments, Heater Hook-up Wire, Heating Cable Systems, Immersion Heaters, Process Air and Duct, Heaters, Radiant Heaters, Strip Heaters, Tubular Heaters