

NORGREN EXCELON® FILTER-FILTER COMBINATIONS



H72A-2AB-
AL1-NNN-LNN
\$ **146**



- True Modularity with Norgren Quikclamp® Connections
- General Purpose and Oil Removal Filters Provide High Efficiency Oil Removal and Particle Removal Down to 0.01 µm
- Quick Release Bayonet Bowl
- Highly Visible, Prismatic Liquid Level Indicator Lens
- Service Indicator Turns From Green to Red When Filter Element Needs to be Replaced

SPECIFICATIONS

Fluid: Compressed Air

Maximum Pressure:

Transparent Bowl:

Manual or Semiautomatic Drain:

10 bar (150 psig)

Automatic Drain: 8 bar (116 psig)

Metal Bowl:

Manual or Semiautomatic Drain:

17 bar (250 psig)

Automatic Drain: 8 bar (116 psig)

Operating Temperature*:

Transparent Bowl: -34 to 50°C

(-30 to 125°F)

Metal Bowl: -34 to 64°C

(-30 to 150°F)

Particle Removal: 0.01 µm

MATERIALS

Body: Zinc

Transparent Bowl: Polycarbonate

Guard for Transparent Bowl: Zinc

Metal: Zinc

Metal Bowl Liquid Level Indicator

Lens: Transparent nylon

F72G Element: Sintered polypropylene

F72C Element: Synthetic fiber and polyurethane foam

Elastomers: Neoprene and Nitrile

Service Indicator Materials Body:

Transparent nylon

Internal Parts: Acetal

Spring: Stainless steel

Elastomers: Nitrile

* Air supply must be dry enough to avoid ice formation at temperatures below 2°C (35°F).



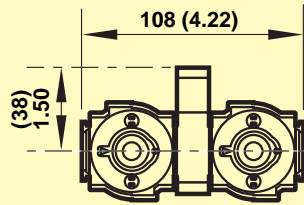
H74A-3AB-AD1-NNN-LNN, \$268, shown smaller than actual size.



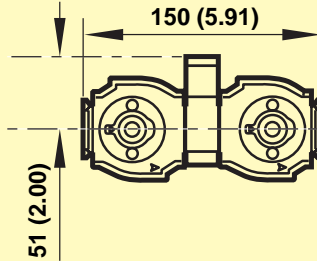
H72A-2AB-AL1-NNN-LNN, \$146, shown smaller than actual size.



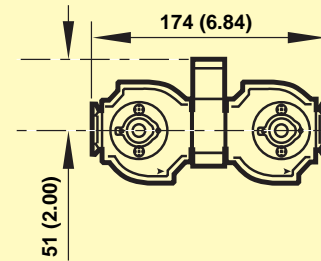
Standard Type H72A
Shown with optional
Quikclamp® wall bracket.



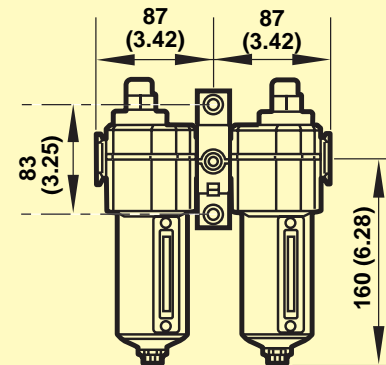
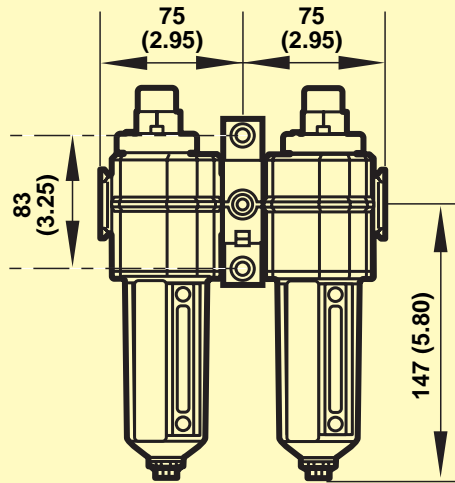
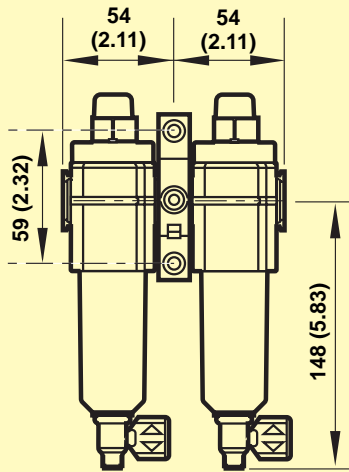
Standard Type H73A
Shown with optional
Quikclamp® wall bracket.



Standard Type H74A
Shown (H74B Similar)
Shown with optional
Quikclamp® wall bracket.



Dimensions: mm (in)



To Order (Specify Model Number)

MOST POPULAR MODELS HIGHLIGHTED!

MODEL NO.	PRICE	PORT SIZE (in)	FILTER TYPE	WEIGHT kg (lb)
H72A-2AB-AL1-NNN-LNN	\$146	¼	General purpose/standard coalescing filters	0.91 (2)
H72A-3AB-AL1-NNN-LNN	148	¾	General purpose/standard coalescing filters	0.91 (2)
H73A-2AB-AD1-NNN-DNN	217	¼	General purpose/standard coalescing filters	1.22 (2.7)
H73A-3AB-AD1-NNN-DNN	217	¾	General purpose/standard coalescing filters	1.22 (2.7)
H73A-4AB-AD1-NNN-DNN	217	½	General purpose/standard coalescing filters	1.22 (2.7)
H74A-3AB-AD1-NNN-DNN	268	¾	General purpose/standard coalescing filters	1.88 (4.15)
H74A-4AB-AD1-NNN-DNN	268	½	General purpose/standard coalescing filters	1.84 (4.06)
H74B-4AB-AD1-NNN-DNN	286	½	General purpose/high flow coalescing filter	2.12 (4.67)
H74F-3AB-AD1-NNN-DMN	411	¾	General/standard coalescing/absorbing filters	3.23 (7.12)
H74F-4AB-AD1-NNN-DMN	418	½	General/standard coalescing/absorbing filters	3.18 (7.01)

Notes: Models include PTF threads, service indicator, automatic drain and long transparent bowl without guard on both filters.
Ordering Example: H72A-2AB-AL1-NNN-LNN, combination filter including a general purpose and a standard pressure coalescing filter, ¼" PTF ports, service indicators, automatic drain, long transparent bowl without guard and 5 µm filter element, **\$146**.
 H73A-3AB-AD1-NNN-LNN, combination filter including a general purpose and a standard pressure coalescing filter, ¾" PTF ports, service indicators, automatic drain, metal bowl with liquid level indicator and 5 µm filter element, **\$217**.



UNITED STATES

www.omega.com
1-800-TC-OMEGA
Stamford, CT.

CANADA

www.omega.ca
Laval(Quebec)
1-800-TC-OMEGA

GERMANY

www.omega.de
Deckenpfronn, Germany
0800-8266342

UNITED KINGDOM

www.omega.co.uk
Manchester, England
0800-488-488

FRANCE

www.omega.fr
Guyancourt, France
088-466-342

CZECH REPUBLIC

www.omegaeng.cz
Karviná, Czech Republic
596-311-899

BENELUX

www.omega.nl
Amstelveen, NL
0800-099-33-44



More than 100,000 Products Available!

• Temperature

Calibrators, Connectors, General Test and Measurement Instruments, Glass Bulb Thermometers, Handheld Instruments for Temperature Measurement, Ice Point References, Indicating Labels, Crayons, Cements and Lacquers, Infrared Temperature Measurement Instruments, Recorders Relative Humidity Measurement Instruments, RTD Probes, Elements and Assemblies, Temperature & Process Meters, Timers and Counters, Temperature and Process Controllers and Power Switching Devices, Thermistor Elements, Probes and Assemblies, Thermocouples Thermowells and Head and Well Assemblies, Transmitters, Wire

• Flow and Level

Air Velocity Indicators, Doppler Flowmeters, Level Measurement, Magnetic Flowmeters, Mass Flowmeters, Pitot Tubes, Pumps, Rotameters, Turbine and Paddle Wheel Flowmeters, Ultrasonic Flowmeters, Valves, Variable Area Flowmeters, Vortex Shedding Flowmeters

• pH and Conductivity

Conductivity Instrumentation, Dissolved Oxygen Instrumentation, Environmental Instrumentation, pH Electrodes and Instruments, Water and Soil Analysis Instrumentation

• Data Acquisition

Auto-Dialers and Alarm Monitoring Systems, Communication Products and Converters, Data Acquisition and Analysis Software, Data Loggers Plug-in Cards, Signal Conditioners, USB, RS232, RS485 and Parallel Port Data Acquisition Systems, Wireless Transmitters and Receivers

• Pressure, Strain and Force

Displacement Transducers, Dynamic Measurement Force Sensors, Instrumentation for Pressure and Strain Measurements, Load Cells, Pressure Gauges, Pressure Reference Section, Pressure Switches, Pressure Transducers, Proximity Transducers, Regulators, Strain Gages, Torque Transducers, Valves

• Heaters

Band Heaters, Cartridge Heaters, Circulation Heaters, Comfort Heaters, Controllers, Meters and Switching Devices, Flexible Heaters, General Test and Measurement Instruments, Heater Hook-up Wire, Heating Cable Systems, Immersion Heaters, Process Air and Duct, Heaters, Radiant Heaters, Strip Heaters, Tubular Heaters