

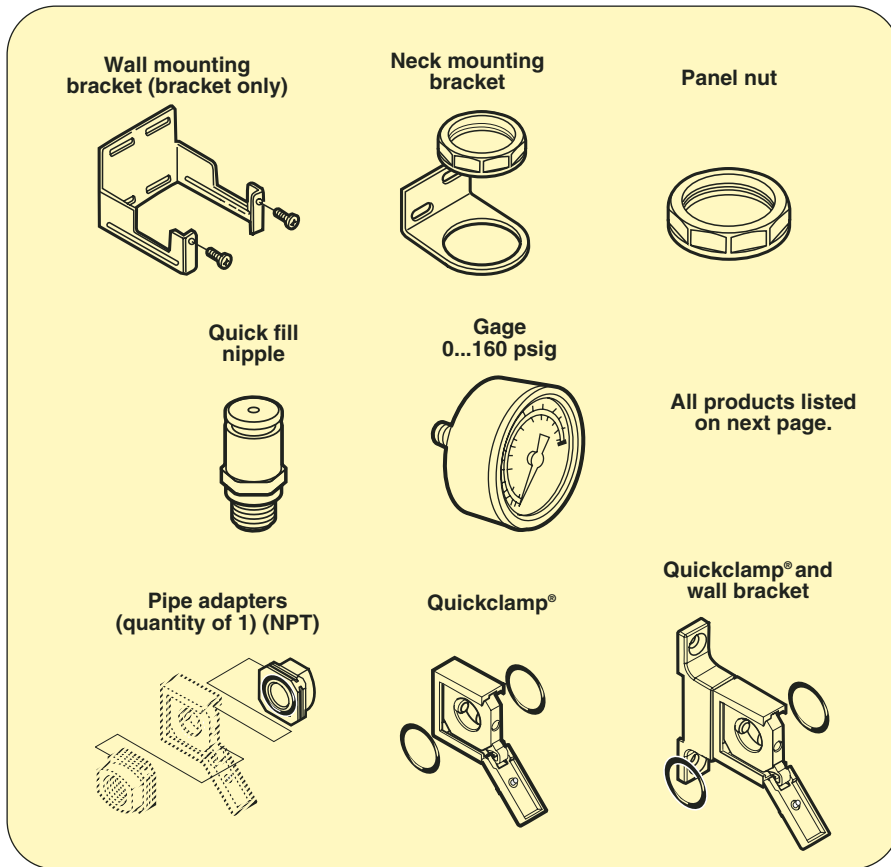
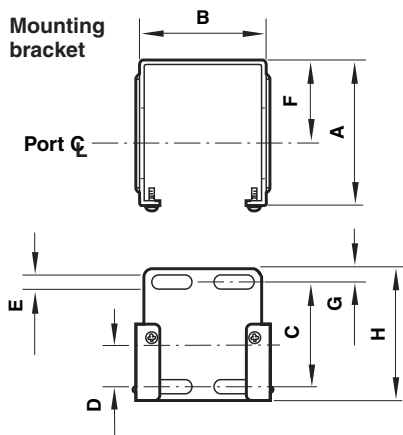


# NORGREN EXCELON<sup>®</sup> MODULAR SYSTEM ACCESSORIES

**SYSTEM  
ACCESSORIES**  
Start at  
**\$ 170**

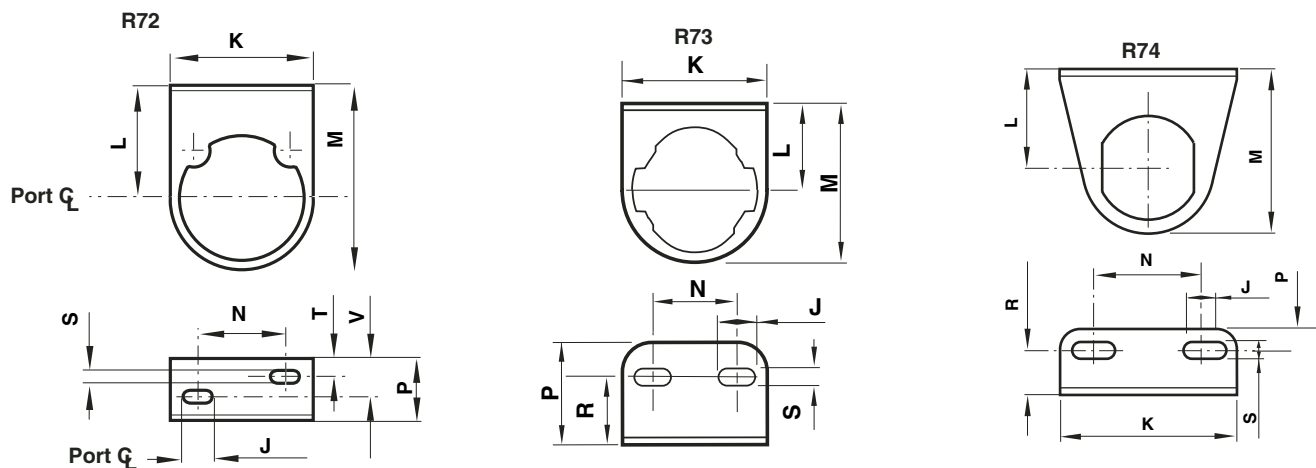


- For use with Excelon 72, 73 and 74 Series Filters, Regulators and Lubricators



SERIES mm (in)	A	B	C	D	E	F	G	H
72	60 (2.36)	42 (1.65)	39 (1.54)	19 (0.73)	4 (0.16)	38 (1.50)	6 (0.24)	51 (2.01)
73	67 (2.64)	60 (2.36)	48 (1.89)	19 (0.75)	7 (0.28)	38 (1.50)	6 (0.24)	61 (2.40)
74	79 (3.11)	69 (2.72)	50 (1.97)	20 (0.79)	5 (0.20)	51 (2.01)	6 (0.24)	61 (2.40)

## Neck mounting brackets



SERIES mm (in)	J	K	L	M	N	P	R	S	T	V
72	8 (0.31)	49 (1.93)	38 (1.50)	64 (2.50)	30 (1.18)	24 (0.94)	-	6 (0.24)	8 (0.31)	15 (0.59)
73	17 (0.67)	64 (2.52)	38 (1.50)	70 (2.76)	38 (1.50)	38 (1.50)	25 (0.98)	7 (0.28)	-	-
74	24 (0.94)	89 (3.50)	52 (2.05)	86 (3.39)	56 (2.20)	35 (1.38)	23 (0.91)	7 (0.28)	-	-



**To Order** (Specify Model Number)

**MOST POPULAR MODELS HIGHLIGHTED!**

MODEL NO.	PRICE	FILTERS						REGULATORS, FILTER/REGULATORS						LUBRICATORS							
		F72		F73		F74		B72, R72		B73, R73		B74, R74		L72		L73		L74			
		PORT						PORT						PORT							
		1/4"	3/8"	1/4"	3/8"	1/2"	3/8"	1/2"	1/4"	3/8"	1/4"	3/8"	1/2"	3/8"	1/2"	1/4"	3/8"	1/4"	3/8"	1/2"	3/8"
<b>WALL BRACKETS</b>																					
OM-AIR-4224-50	\$6.50	•						•								•					
OM-AIR-4424-50	7.00			•						•								•			
OM-AIR-4324-50	8.50					•							•								•
OM-AIR-4323-51	8.45																				•
<b>QUICKMOUNT PIPE ADAPTORS</b>																					
OM-AIR-4215-02	\$6.80	•						•								•					
OM-AIR-4215-03	6.80		•						•								•				
OM-AIR-4315-01	9.35			•						•								•			
OM-AIR-4315-02	9.35				•		•				•		•					•		•	
OM-AIR-4315-03	9.35					•		•				•		•					•		•
<b>QUICKCLAMP</b>																					
OM-AIR-4214-51	\$5.65	•						•								•					•
OM-AIR-4314-51	7.00			•		•				•			•					•			•
<b>QUICKCLAMP WITH WALL BRACKET</b>																					
OM-AIR-4214-52	\$7.60	•						•								•					
OM-AIR-4213-89	1.95		•						•								•				
OM-AIR-4313-50	3.75				•		•			•			•					•		•	
OM-AIR-4314-52	10.70			•			•			•			•					•		•	
<b>REPLACEMENT ELEMENTS</b>																					
OM-AIR-5925-09	\$36.80																				
OM-AIR-4444-01	40.35																				
OM-AIR-4344-01	43.65																				
<b>NECK MOUNTING BRACKETS</b>																					
OM-AIR-74316-50	\$5.65							•													
OM-AIR-4461-50	6.45									•											
OM-AIR-4368-51	12.10																				
<b>PANEL NUT</b>																					
OM-AIR-4248-89	\$1.70							•													
OM-AIR-5191-88	4.25									•											
OM-AIR-4348-89	3.65																				
<b>GAGES</b>																					
OM-AIR-18-013-212	\$12.15							•													
OM-AIR-18-013-209	12.15									•			•								
<b>REMOTE FILL KIT</b>																					
OM-AIR-5335-50	\$128.80																				•
<b>QUICK FILL NIPPLE</b>																					
OM-AIR-18-011-024	\$9.40																			•	•
<b>TAMPER RESISTANT SNAP-ON CAP FOR LUBRICATOR SIGHT FEED DOME#</b>																					
OM-AIR-4050-89	\$1.70															•		•			•
<b>LEVEL SWITCH</b>																					
OM-AIR-18-023-610	\$333.20																				•

Ordering Example: OM-AIR-4224-50, Wall bracket, \$6.50



#### UNITED STATES

[www.omega.com](http://www.omega.com)  
1-800-TC-OMEGA  
Stamford, CT.

#### CANADA

[www.omega.ca](http://www.omega.ca)  
Laval(Quebec)  
1-800-TC-OMEGA

#### GERMANY

[www.omega.de](http://www.omega.de)  
Deckenpfronn, Germany  
0800-8266342

#### UNITED KINGDOM

[www.omega.co.uk](http://www.omega.co.uk)  
Manchester, England  
0800-488-488

#### FRANCE

[www.omega.fr](http://www.omega.fr)  
Guyancourt, France  
088-466-342

#### CZECH REPUBLIC

[www.omegaeng.cz](http://www.omegaeng.cz)  
Karviná, Czech Republic  
596-311-899

#### BENELUX

[www.omega.nl](http://www.omega.nl)  
Amstelveen, NL  
0800-099-33-44



## More than 100,000 Products Available!

### • Temperature

Calibrators, Connectors, General Test and Measurement Instruments, Glass Bulb Thermometers, Handheld Instruments for Temperature Measurement, Ice Point References, Indicating Labels, Crayons, Cements and Lacquers, Infrared Temperature Measurement Instruments, Recorders Relative Humidity Measurement Instruments, RTD Probes, Elements and Assemblies, Temperature & Process Meters, Timers and Counters, Temperature and Process Controllers and Power Switching Devices, Thermistor Elements, Probes and Assemblies, Thermocouples Thermowells and Head and Well Assemblies, Transmitters, Wire

### • Flow and Level

Air Velocity Indicators, Doppler Flowmeters, Level Measurement, Magnetic Flowmeters, Mass Flowmeters, Pitot Tubes, Pumps, Rotameters, Turbine and Paddle Wheel Flowmeters, Ultrasonic Flowmeters, Valves, Variable Area Flowmeters, Vortex Shedding Flowmeters

### • pH and Conductivity

Conductivity Instrumentation, Dissolved Oxygen Instrumentation, Environmental Instrumentation, pH Electrodes and Instruments, Water and Soil Analysis Instrumentation

### • Data Acquisition

Auto-Dialers and Alarm Monitoring Systems, Communication Products and Converters, Data Acquisition and Analysis Software, Data Loggers Plug-in Cards, Signal Conditioners, USB, RS232, RS485 and Parallel Port Data Acquisition Systems, Wireless Transmitters and Receivers

### • Pressure, Strain and Force

Displacement Transducers, Dynamic Measurement Force Sensors, Instrumentation for Pressure and Strain Measurements, Load Cells, Pressure Gauges, Pressure Reference Section, Pressure Switches, Pressure Transducers, Proximity Transducers, Regulators, Strain Gages, Torque Transducers, Valves

### • Heaters

Band Heaters, Cartridge Heaters, Circulation Heaters, Comfort Heaters, Controllers, Meters and Switching Devices, Flexible Heaters, General Test and Measurement Instruments, Heater Hook-up Wire, Heating Cable Systems, Immersion Heaters, Process Air and Duct, Heaters, Radiant Heaters, Strip Heaters, Tubular Heaters