

Solid State Input/Output Modules

Interchangeable Modules



\$15



- ✓ 4000 Volt Isolation
- ✓ Logic Levels Switch High Level ac and dc Circuits
- ✓ High Level ac and dc Signals Switch Logic Circuits



Shown larger than actual size.

Specifications

Operating Ambient:

-30 to 80°C (-22 to 176°F)

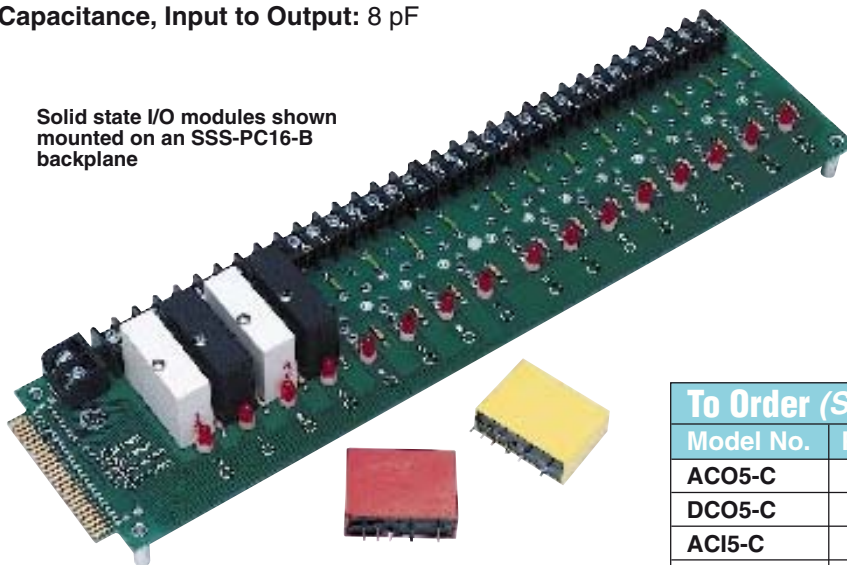
Storage Temperature:

-40 to 100°C (-40 to 212°F)

Isolation: 4000 Vrms

Capacitance, Input to Output: 8 pF

Solid state I/O modules shown mounted on an SSS-PC16-B backplane



SSS series solid state I/O module provide a connection between power lines and computer interface systems. Input modules sense the presence of either an ac or dc voltage, and will send a TTL signal back to the computer. They provide feedback to the computer, giving the system information it can act upon. Output modules receive TTL signals from the computer interface, and will switch ac or dc power lines on or off. These modules can be used for control systems, turning motors, actuators, etc. on or off.

To Order (Specify Model Number)			
Model No.	Price	Sense-Input	Control-Output
ACO5-C	\$15	—	3 to 280 Vac
DCO5-C	15	—	3 to 60 Vdc
ACI5-C	15	90 to 140 Vac	—
DCI5-C	15	3.3 to 32 Vdc	—

Output Modules DCO5-C and ACO5-C

Input Specifications	DCO5-C	ACO5-C
Nominal input Voltage	5.0 Vdc	5 Vdc
Minimum input Voltage ¹	2.5 Vdc	2.5 Vdc
Maximum input Voltage ²	7.5 Vdc	7.5 Vdc
Drop out Voltage	1.0 Vdc	1.0 Vdc
Maximum input current	27 mA dc w/o LED	27 mA dc w/o LED
Typical input current	10 mA dc	10 mA dc
Nominal input resistance	240 ohms	240 ohms

¹@ pin 3

² LED in series with nominal Voltage

Output Specifications	DCO5-C	ACO5-C
Maximum line voltage	60 Vdc	280V rms
Minimum line voltage	3.0 Vdc	24V rms
Max peak off-state voltage	60 Vdc	600V peak
Maximum off-state leakage	1.0 mA dc	4.5 mA rms
Maximum on-state current ¹	3.0A dc	3.0A rms
Minimum on-state current	10 mA rms	50 mA rms
Peak on-state Voltage	1.5 V peak	1.6 V peak
Maximum turn-on time	50μ sec	0.5 cycle
Maximum turn-off time	100μ sec	0.5 cycle

¹ Derate 33 mA/°C above 25°C

Input Modules DCI5-C and ACI5-C

Input Specifications	DCI5-C	ACI5-C
Maximum input Voltage	32 Vdc	140V rms
Minimum input Voltage	3.3 Vdc	90V rms
Maximum input current ¹	32 mA dc	10 mA rms
Drop out current	1.0 mA dc	2.5 mA rms
Allowable off-state input	1.0 mA dc	3.0 mA rms
Allowable off-state Voltage	2.0 Vdc	50V rms/Vdc

¹@ maximum input Voltage

Output Specifications	DCI5-C	ACI5-C
Nominal logic supply Voltage	5.0 Vdc	5.0 Vdc
Min logic voltage @ pin 3	1.5 Vdc	1.5 Vdc
Max logic voltage @ pin 3	6.0 Vdc	6.0 Vdc
Typical logic supply current ¹	10 mA dc	10 mA dc
Max logic supply current ²	18.5 mA dc	18.5 mA dc
Max logic supply leakage cur. ²	10μA dc	10μA dc
Maximum output Voltage	30 Vdc	30 Vdc
Maximum output current	50mA dc	50mA dc
Max out. leakage current ²	10μA dc	10μA dc
Max out. Voltage drop ³	200m Vdc	200m Vdc
Maximum turn-on time	300μ sec	20ms
Maximum turn-off time	600μ sec	30ms

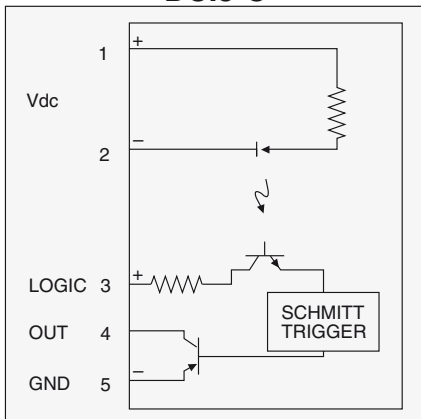
¹@ nominal Voltage with LED on mounting board

²@ maximum logic Voltage

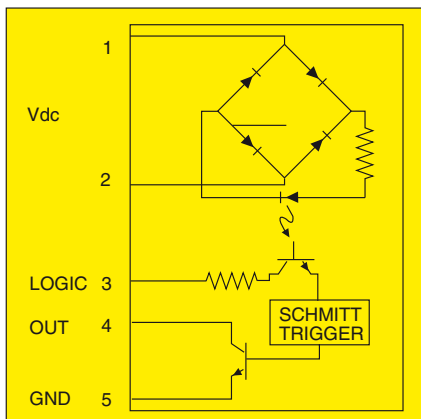
³@ maximum output current



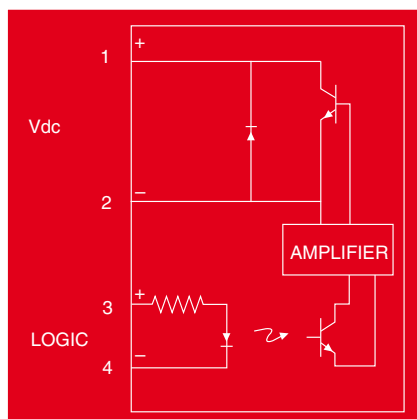
DCI5-C



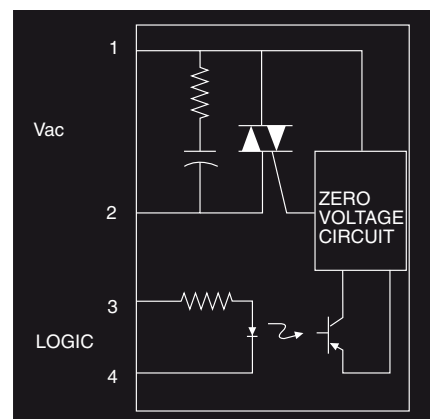
ACI5-C



DCO5-C



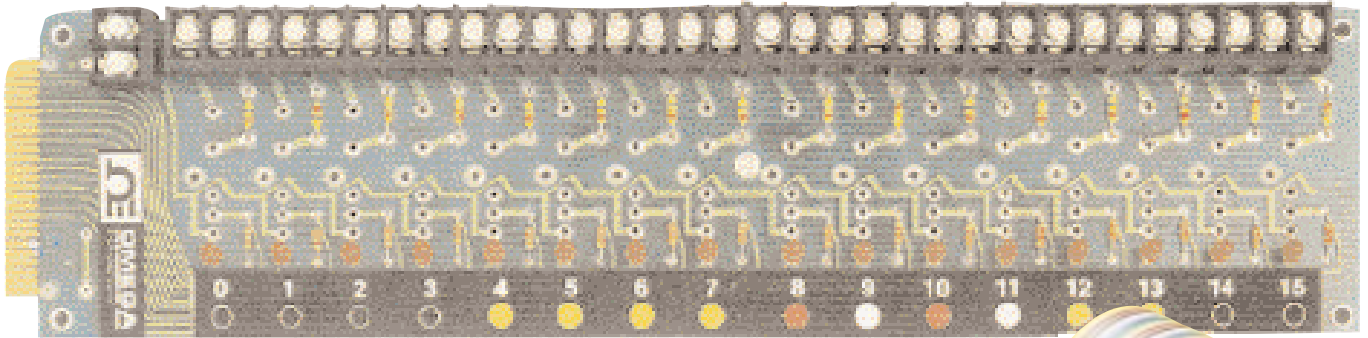
ACO5-C



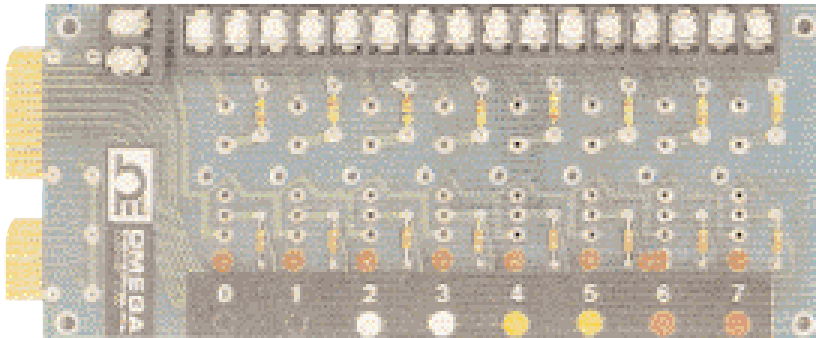
Solid State Switches

Backplanes and Accessories

\$100

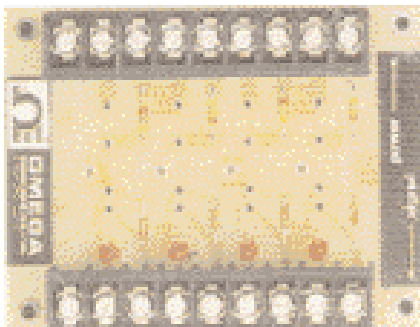


SSS-PC16-B
3 1/2" x 15 1/2"
16 position



SSS-PC8-B
3 1/2" x 8 1/2"
8 position

\$60



SSS-PC4-C
3 1/2" x 4 1/2"
4 Position Isolated

\$40

OMEGA can supply a complete series of versatile backplanes to mount 4, 8, 16 or 24 modules. The backplanes include LED indicators to indicate signal status, pull-up resistors to avoid undefined states, and power fuses for overload protection on each channel.

SSS-PC4-C \$35

A 4 channel backplane with screw terminal connections. Logic power and ground are common on the logic side.

SSS-PC4I-C \$40

Same as above except that all channels are isolated from each other. Without the common signal ground, only output modules may be used.

SSS-PC8-B \$60

An 8 channel backplane with channel signals, power and ground busses terminating in card edge fingers. Connection is made with either 26 or 50 pin connectors (0.10" centers)

SSS-PC16-B \$100

16 position backplanes similar to

SSS-PC8-B. Only 50 pin card edge connectors.

SSS-PC24-B \$150

24 position backplanes. Uses 50 pin card edge connector.

Cables and Accessories

OMX-1804 \$28

Solder Eye Type 50 pin connector

SSS-CA2 \$20

2' Ribbon cable with 50 pin connector

SSS-CA6 \$25

6' Ribbon cable with 50 pin connector

SSS-CA10 \$30

10' Ribbon cable with 50 pin connector

SSS-F1 \$2: 1 amp fuse

SSS-F5 \$2: 5 amp fuse

omega.co.uk[®]

Your One-Stop Source for Process Measurement and Control!

Freephone 0800 488 488 | International +44(0) 161 777 6622 | Fax +44(0) 161 777 6622 | Sales@omega.co.uk

www.omega.co.uk



UNITED STATES

www.omega.com

1-800-TC-OMEGA

Stamford, CT.

CANADA

www.omega.ca

Laval(Quebec)

1-800-TC-OMEGA

GERMANY

www.omega.de

Deckenpfronn, Germany

0800-8266342

UNITED KINGDOM

www.omega.co.uk

Manchester, England

0800-488-488

FRANCE

www.omega.fr

088-466-342

CZECH REPUBLIC

www.omegaeng.cz

Karviná, Czech Republic

596-311-899

BENELUX

www.omega.nl

0800-099-33-44



More than 100,000 Products Available!

• Temperature

Calibrators, Connectors, General Test and Measurement Instruments, Handheld Instruments for Temperature Measurement, Ice Point References, Indicating Labels, Crayons, Cements and Lacquers, Infrared Temperature Measurement Instruments, Recorders, Relative Humidity Measurement Instruments, PT100 Probes, PT100 Elements, Temperature & Process Meters, Timers and Counters, Temperature and Process Controllers and Power Switching Devices, Thermistor Elements, Probes and Assemblies, Thermocouples, Thermowells and Head and Well Assemblies, Transmitters, Thermocouple Wire, RTD Probes

• Flow and Level

Air Velocity Indicators, Doppler Flowmeters, Level Measurement, Magnetic Flowmeters, Mass Flowmeters, Pitot Tubes, Pumps, Rotameters, Turbine and Paddle Wheel Flowmeters, Ultrasonic Flowmeters, Valves, Variable Area Flowmeters, Vortex Shedding Flowmeters

• pH and Conductivity

Conductivity Instrumentation, Dissolved Oxygen Instrumentation, Environmental Instrumentation, pH Electrodes and Instruments, Water and Soil Analysis Instrumentation

• Data Acquisition

Auto-Dialers and Alarm Monitoring Systems, Communication Products and Converters, Data Acquisition and Analysis Software, Data Loggers Plug-in Cards, Signal Conditioners, USB, RS232, RS485 and Parallel Port Data Acquisition Systems, Wireless Transmitters and Receivers

• Pressure, Strain and Force

Displacement Transducers, Dynamic Measurement Force Sensors, Instrumentation for Pressure and Strain Measurements, Load Cells, Pressure Gauges, Pressure Reference Section, Pressure Switches, Pressure Transducers, Proximity Transducers, Regulators, Pressure Transmitters, Strain Gauges, Torque Transducers, Valves

• Heaters

Band Heaters, Cartridge Heaters, Circulation Heaters, Comfort Heaters, Controllers, Meters and Switching Devices, Flexible Heaters, General Test and Measurement Instruments, Heater Hook-up Wire, Heating Cable Systems, Immersion Heaters, Process Air and Duct, Heaters, Radiant Heaters, Strip Heaters, Tubular Heaters