



TRANSIT-TIME ULTRASONIC FLOWMETER

FDT-30 Series
Starts at
\$1277



- ✓ Compact Enclosure
- ✓ Large Digital Display
- ✓ 4 to 20 mA, TTL and Turbine Simulated Outputs
- ✓ Rate and Total Displays
- ✓ Clean Liquid Compatible



FDT-31, \$1277, shown smaller than actual size.

The FDT-30 Series provides easy and low cost installation by clamping to the outside of existing piping systems. Non-invasive transit time system allows solids to pass through the pipe with no affect on the meter. Y-strainers or filtering devices are not needed. Greater accuracy can be attained in applications consisting of entrained gases. The FDT-30 Series will automatically correct displayed flow rates and electronic outputs. Direct interface is provided to data collection systems via 4 to 20 mA output and either TTL-pulse or simulated turbine meter outputs that are proportional to fluid flow rate. Designed to replace mechanical flowmeters in applications where liquid conditions tend to damage or impede mechanical flow meter operation. No maintenance is required. The FDT-30 Series can be used on applications such as well water and other liquids with moderate amounts of suspended solids or aeration.

FDT-30 Series is housed in an enclosure suitable for outdoor mounting. Integral mount transducers are available for pipes 50 mm (2") and smaller.

SPECIFICATION

Liquid Types: Most clean liquids, or liquids containing moderate amounts of suspended solids

Power: 11 to 30 Vdc @ 0.25 A

Velocity: 0.03 to 12.4 MPS (0.1 to 40 FPS)

4 to 20 mA Output (Standard):

12-bit resolution; source power; 5V max insertion loss; 900 Ω max loop impedance; can share ground common with power supply-isolated from piping system

Turbine Frequency Output

(TTL Pulse): Switch selectable; non-ground referenced AC, ground referenced squarewave; 100 mV pp min/5 Vdc amplitude; 0 to 1 kHz range; 50% \pm 10% duty cycle

Display: 2 line x 8 character LCD alternates between rate and total in 10 second intervals

Top Row: 18 mm (0.7"), 7-segment

Bottom Row: 9 mm (0.35"), 14-segment

Rate: 8 digits max

Totalizer: 8 digits max; exponential multipliers from -1 to +6

Units: Feet, gallons, ft³, million-gal, barrels (liquid and oil), acre-feet, lbs, meters, m³, liters, million-liters, kg;

rates programmable for per: sec, min, hr, or day

Operating Ambient: -40 to 85°C (-40 to 185°F)

Enclosure: NEMA 3 ABS, PVC and Ultem, brass or SS hardware

Dimensions: 75 W x 150 L x 63 mm D (3 x 6 x 2.5")

Transducer Type: Clamp-on for pipe mount; time of flight ultrasonic

Accuracy: \pm 1% rdg @ rates > 0.3 MPS (1 FPS); \pm 0.003 MPS (0.01 FPS) @ rates < 0.3 MPS (1 FPS)

Repeatability: \pm 0.5% rdg

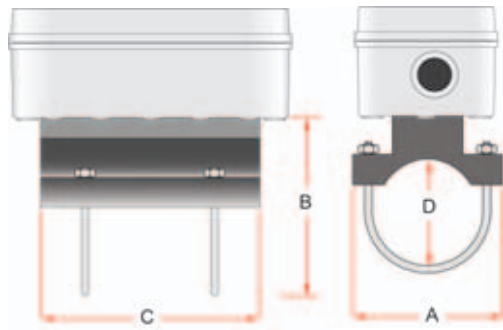
Response Time: 0.3 to 30 sec, adjustable

Protection: Reverse polarity, surge suppression

Pipe Sizes: 12 to 50 mm (0.5 to 2")

Pipe Materials: Carbon steel, stainless steel, copper and plastic

**U-Bolt Connections
(ANSI & Copper 2" Models)**

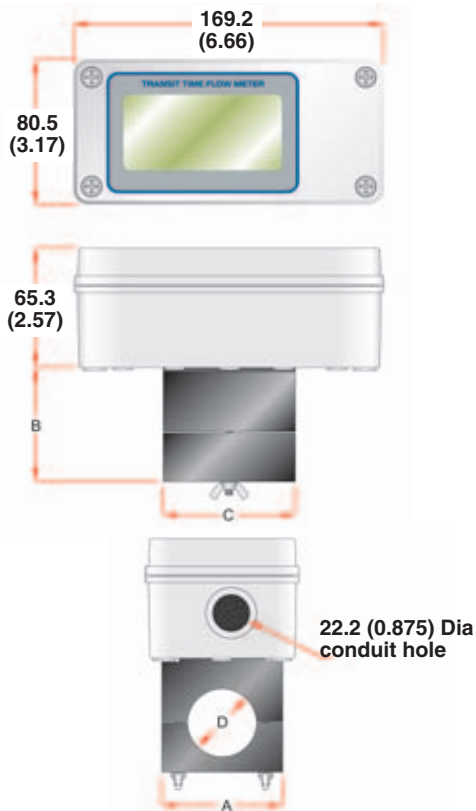


Dimensions: mm (in)

Pipe Size	Pipe Material	A	B	C	D	Measuring Range
1/2"	ANSI	62.5 (2.46)	59.9 (2.36)	67.6 (2.66)	21.3 (0.84)	2 to 100 LPM 0.5 to 25 GPM
	Copper	62.5 (2.46)	59.9 (2.36)	84.6 (3.33)	15.9 (0.63)	2 to 100 LPM 0.5 to 25 GPM
	Tubing	62.5 (2.46)	57.9 (2.28)	94.5 (3.72)	12.7 (0.50)	2 to 100 LPM 0.5 to 25 GPM
3/4"	ANSI	62.5 (2.46)	65.3 (2.57)	67.6 (2.66)	26.7 (1.05)	4 to 200 LPM 1 to 55 GPM
	Copper	62.5 (2.46)	63.5 (2.50)	90.4 (3.56)	22.2 (0.88)	4 to 200 LPM 1 to 55 GPM
	Tubing	62.5 (2.46)	57.9 (2.50)	94.5 (3.56)	12.7 (0.75)	4 to 100 LPM 1 to 55 GPM
1"	ANSI	62.5 (2.46)	74.2 (2.92)	72.6 (2.86)	33.4 (1.32)	8 to 375 LPM 2 to 100 GPM
	Copper	62.5 (2.46)	72.9 (2.87)	96.5 (3.80)	28.6 (1.13)	8 to 375 LPM 2 to 100 GPM
	Tubing	62.5 (2.46)	69.9 (2.75)	96.5 (3.80)	25.4 (1.00)	8 to 375 LPM 2 to 100 GPM
1 1/4"	ANSI	71.0 (2.80)	80.8 (3.18)	79.8 (3.14)	42.2 (1.66)	15 to 570 LPM 4 to 150 GPM
	Copper	62.5 (2.46)	76.2 (3.00)	102.6 (4.04)	34.9 (1.38)	15 to 570 LPM 4 to 150 GPM
	Tubing	62.5 (2.46)	76.2 (3.00)	102.6 (4.04)	31.8 (1.25)	15 to 570 LPM 4 to 150 GPM
1 1/2"	ANSI	76.7 (3.02)	86.9 (3.42)	84.6 (3.33)	48.3 (1.90)	18 to 830 LPM 5 to 220 GPM
	Copper	68.8 (2.71)	72.6 (2.86)	108.7 (4.28)	41.3 (1.63)	18 to 830 LPM 5 to 220 GPM
	Tubing	68.8 (2.71)	84.1 (3.31)	108.7 (4.28)	38.1 (1.50)	18 to 830 LPM 5 to 220 GPM
2"	ANSI	94.0 (3.70)	86.9* (3.42)	139.7 (5.50)	60.3* (2.375)	30 to 1500 LPM 8 to 400 GPM
	Copper	94.0 (3.70)	85.9* (3.38)	139.7 (5.50)	54.0* (2.125)	30 to 1500 LPM 8 to 400 GPM
	Tubing	81.5 (3.21)	98.0 (3.85)	120.7 (4.75)	50.8 (2.00)	30 to 1500 LPM 8 to 400 GPM

* Varies due to U-bolt configuration

Standard System



MOST POPULAR MODELS HIGHLIGHTED!

To Order (Specify Model Number)			
Model No.	Price	Description	Range LPM (GPM)
FDT-31	\$1277	Transit-time ultrasonic flowmeter, 1/2" ANSI pipe	2 to 100 (0.5 to 25)
FDT-32	1277	Transit-time ultrasonic flowmeter, 3/4" ANSI pipe	4 to 200 (1 to 55)
FDT-33	1304	Transit-time ultrasonic flowmeter, 1" ANSI pipe	8 to 375 (2 to 100)
FDT-34	1315	Transit-time ultrasonic flowmeter, 1 1/4" ANSI pipe	15 to 570 (4 to 150)
FDT-35	1315	Transit-time ultrasonic flowmeter, 1 1/2" ANSI pipe	18 to 830 (5 to 220)
FDT-36	1359	Transit-time ultrasonic flowmeter, 2" ANSI pipe	30 to 1500 (8 to 400)

Accessories

Model No.	Price	Description
FDT-GREASE	\$28	Coupling grease for FDT-30/80 series

Comes complete with operator's manual and coupling grease.

For copper pipe applications, add suffix "-C" to model number, no additional charge.

For plastic tubing applications, add suffix "-T" to model number, no additional charge.

Ordering Examples: FDT-32, transit-time ultrasonic flowmeter for 3/4" ANSI pipe, \$1277.

FDT-33-C, transit-time ultrasonic flowmeter for 1" copper pipe, FDT-GREASE, coupling grease, \$1304 + 28 = \$1332.

Recommended Reference Book: Standard Handbook of Machine Design, GE-0135, \$131. See Section Y for Additional Books



omega.co.uk[®]

Your One-Stop Source for Process Measurement and Control!

Freephone 0800 488 488 | International +44(0) 161 777 6622 | Fax +44(0) 161 777 6622 | Sales@omega.co.uk

www.omega.co.uk



UNITED STATES

www.omega.com

1-800-TC-OMEGA
Stamford, CT.

UNITED KINGDOM

www.omega.co.uk

Manchester, England
0800-488-488
+44-(0)161-777-6611

CANADA

www.omega.ca

Laval(Quebec)
1-800-TC-OMEGA

FRANCE

www.omega.fr

0800-466-342

GERMANY

www.omega.de

Deckenfronn, Germany
0800-8266342

BENELUX

www.omega.nl

0800-099-33-44



More than 100,000 Products Available!

• Temperature

Calibrators, Connectors, General Test and Measurement Instruments, Handheld Instruments for Temperature Measurement, Ice Point References, Indicating Labels, Crayons, Cements and Lacquers, Infrared Temperature Measurement Instruments, Recorders, Relative Humidity Measurement Instruments, PT100 Probes, PT100 Elements, Temperature & Process Meters, Timers and Counters, Temperature and Process Controllers and Power Switching Devices, Thermistor Elements, Probes and Assemblies, Thermocouples, Thermowells and Head and Well Assemblies, Transmitters, Thermocouple Wire, RTD Probes

• Flow and Level

Air Velocity Indicators, Doppler Flowmeters, Level Measurement, Magnetic Flowmeters, Mass Flowmeters, Pitot Tubes, Pumps, Rotameters, Turbine and Paddle Wheel Flowmeters, Ultrasonic Flowmeters, Valves, Variable Area Flowmeters, Vortex Shedding Flowmeters

• pH and Conductivity

Conductivity Instrumentation, Dissolved Oxygen Instrumentation, Environmental Instrumentation, pH Electrodes and Instruments, Water and Soil Analysis Instrumentation

• Data Acquisition

Communication Products and Converters, Data Acquisition and Analysis Software, Data Loggers Plug-in Cards, Signal Conditioners, USB, RS232, RS485, Ethernet and Parallel Port Data Acquisition Systems, Wireless Transmitters and Receivers

• Pressure, Strain and Force

Displacement Transducers, Dynamic Measurement Force Sensors, Instrumentation for Pressure and Strain Measurements, Load Cells, Pressure Gauges, Pressure Reference Section, Pressure Switches, Pressure Transducers, Proximity Transducers, Regulators, Pressure Transmitters, Strain Gauges, Torque Transducers, Valves

• Heaters

Band Heaters, Cartridge Heaters, Circulation Heaters, Comfort Heaters, Controllers, Meters and Switching Devices, Flexible Heaters, General Test and Measurement Instruments, Heater Hook-up Wire, Heating Cable Systems, Immersion Heaters, Process Air and Duct, Heaters, Radiant Heaters, Strip Heaters, Tubular Heaters