

ROTAMETERS FOR CORROSIVE APPLICATIONS

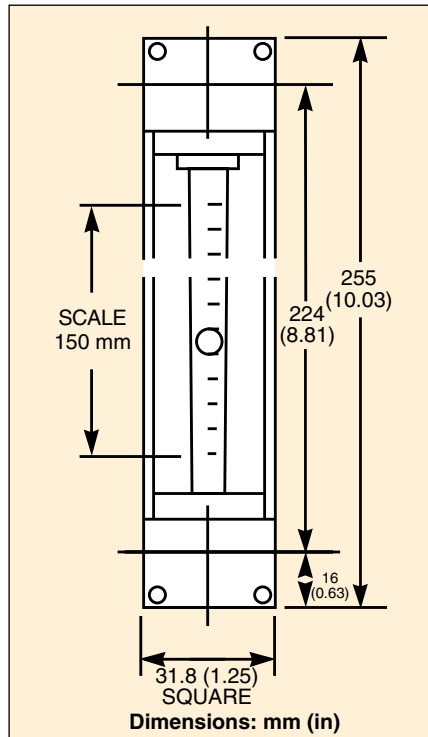
**CAPACITIES: 0.054 to 573 cc/min of Water,
4.9 cc/min to 23.5 LPM of Air**

FL-1800 Series



- ✓ ±5% Full Scale Accuracy
- ✓ ±1/2% Full Scale Repeatability
- ✓ Large 150 mm (5.9") Scale
- ✓ Correlation Charts for Air and Water
- ✓ PVDF and Glass Wetted Parts
- ✓ Machined End Fittings
- ✓ Side Plate Construction
- ✓ Non-Rotating Seal Spindle

OMEGA® FL-1800 Series flowmeters are designed for use with corrosive materials. These special flowmeters utilize PVDF and glass wetted parts for excellent corrosion resistance where standard rotameters would be unacceptable. Because of this construction, these flowmeters can be used with most acids and bases, in addition to many organic solvents.



SPECIFICATIONS

Scales: 150 mm (5.9"), 0 to 150 mm with correlation charts for air and water
Accuracy: ±5% full scale
Repeatability: ±1/2% full scale
Connections: 1/4 NPT, female horizontal
Metering Tubes: Borosilicate glass
Floats: Glass
End Fittings, Seal Spindle: PVDF
Side Plates: Aluminum
Float Stops: PTFE
Tube Packing: FKM
O-Rings: FKM
Max Pressure: 10.34 bar (150 psig) at 38°C (100°F)



FL-1801, shown smaller than actual size.

To Order Visit omega.com/fl1800 for Pricing and Details		
Model No.	Air Range	Water Range
FL-1801	4.9 to 49 cc/min	0.054 to 0.537 cc/min
FL-1802	8.8 to 88 cc/min	0.11 to 1.11 cc/min
FL-1803	37 to 370 cc/min	0.58 to 5.75 cc/min
FL-1804	0.08 to 0.82 LPM	1.66 to 16.6 cc/min
FL-1805	0.24 to 2.35 LPM	5.3 to 52.8 cc/min
FL-1806	0.38 to 3.8 LPM	8.5 to 84.6 cc/min
FL-1807	0.86 to 8.6 LPM	20 to 200 cc/min
FL-1808	2.4 to 23.5 LPM	57 to 573 cc/min

Comes with complete operator's manual and correlation charts for air and water.
 For units with 316 SS control valve, add suffix "-V" to model number for additional cost.
Ordering Examples: FL1807-V, rotameter with 316 SS control valve.

omega.co.uk[®]

Your One-Stop Source for Process Measurement and Control!

Freephone 0800 488 488 | International +44(0) 161 777 6622 | Fax +44(0) 161 777 6622 | Sales@omega.co.uk

www.omega.co.uk



UNITED STATES

www.omega.com

1-800-TC-OMEGA
Stamford, CT.

UNITED KINGDOM

www.omega.co.uk

Manchester, England
0800-488-488
+44-(0)161-777-6611

CANADA

www.omega.ca

Laval(Quebec)
1-800-TC-OMEGA

FRANCE

www.omega.fr

0800-466-342

GERMANY

www.omega.de

Deckenfronn, Germany
0800-8266342

BENELUX

www.omega.nl

0800-099-33-44



More than 100,000 Products Available!

• Temperature

Calibrators, Connectors, General Test and Measurement Instruments, Handheld Instruments for Temperature Measurement, Ice Point References, Indicating Labels, Crayons, Cements and Lacquers, Infrared Temperature Measurement Instruments, Recorders, Relative Humidity Measurement Instruments, PT100 Probes, PT100 Elements, Temperature & Process Meters, Timers and Counters, Temperature and Process Controllers and Power Switching Devices, Thermistor Elements, Probes and Assemblies, Thermocouples, Thermowells and Head and Well Assemblies, Transmitters, Thermocouple Wire, RTD Probes

• Flow and Level

Air Velocity Indicators, Doppler Flowmeters, Level Measurement, Magnetic Flowmeters, Mass Flowmeters, Pitot Tubes, Pumps, Rotameters, Turbine and Paddle Wheel Flowmeters, Ultrasonic Flowmeters, Valves, Variable Area Flowmeters, Vortex Shedding Flowmeters

• pH and Conductivity

Conductivity Instrumentation, Dissolved Oxygen Instrumentation, Environmental Instrumentation, pH Electrodes and Instruments, Water and Soil Analysis Instrumentation

• Data Acquisition

Communication Products and Converters, Data Acquisition and Analysis Software, Data Loggers Plug-in Cards, Signal Conditioners, USB, RS232, RS485, Ethernet and Parallel Port Data Acquisition Systems, Wireless Transmitters and Receivers

• Pressure, Strain and Force

Displacement Transducers, Dynamic Measurement Force Sensors, Instrumentation for Pressure and Strain Measurements, Load Cells, Pressure Gauges, Pressure Reference Section, Pressure Switches, Pressure Transducers, Proximity Transducers, Regulators, Pressure Transmitters, Strain Gauges, Torque Transducers, Valves

• Heaters

Band Heaters, Cartridge Heaters, Circulation Heaters, Comfort Heaters, Controllers, Meters and Switching Devices, Flexible Heaters, General Test and Measurement Instruments, Heater Hook-up Wire, Heating Cable Systems, Immersion Heaters, Process Air and Duct, Heaters, Radiant Heaters, Strip Heaters, Tubular Heaters