

DIRECT READ IN-LINE AND PANEL ROTAMETERS

FLD1000/FLD2000 Series
Starts at

\$301



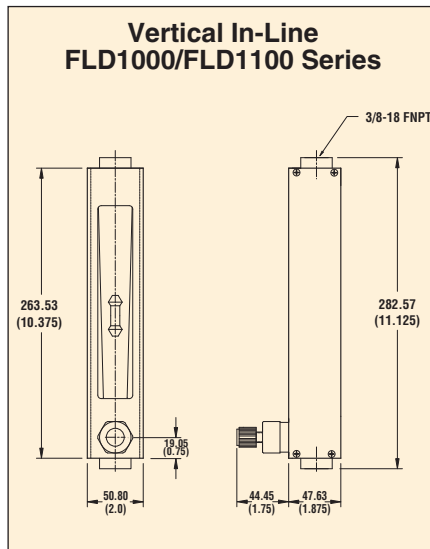
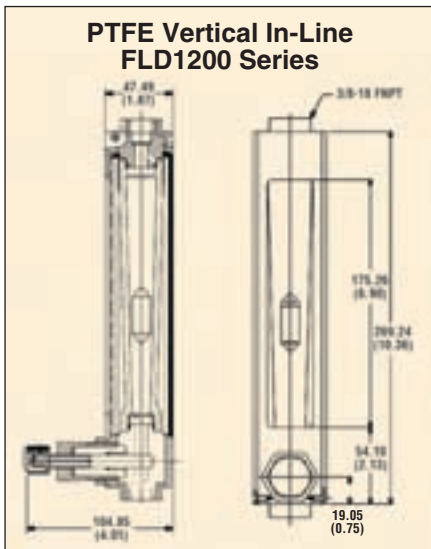
- ✓ Rigid, Compact Construction
- ✓ Dual, Rotatable, Direct Reading Scales for Air and Water
- ✓ Graduations Reflect Both Metric and English Systems
- ✓ Vertical In-line or Panel Mount

Incorporating traditional variable area precision glass technology, these rugged PTFE flow meters offer accurate and economical solutions to medium flow range measurements.

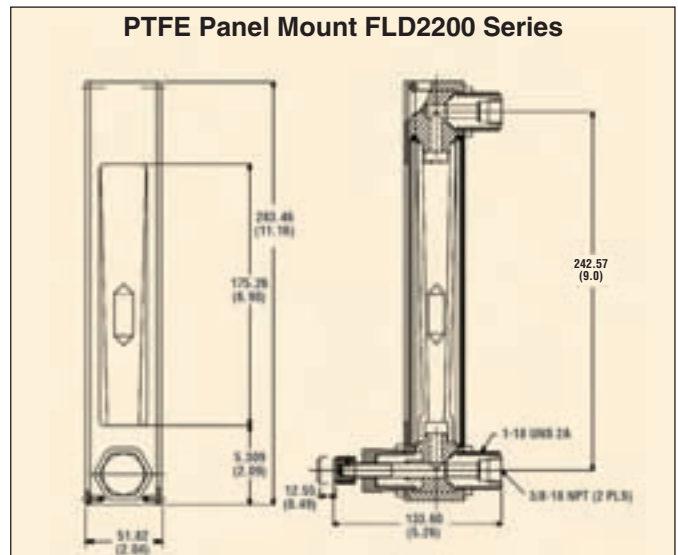
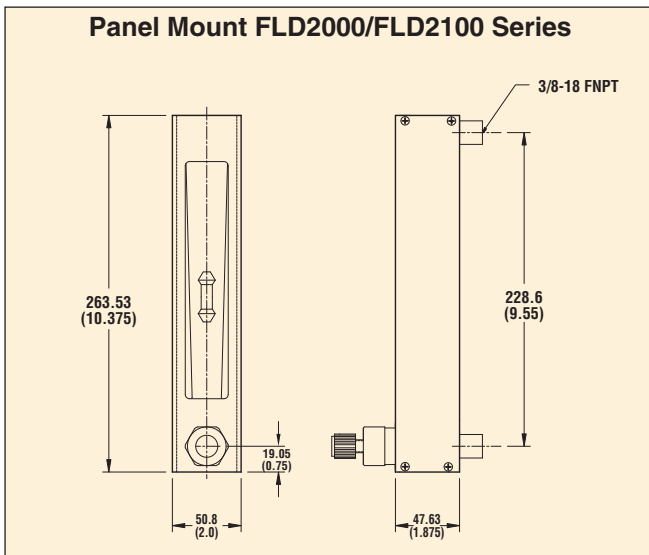
FLD1000/FLD2000 are designed with unique rotatable scales of dual air-water direct reading graduations showing SCFM and SLPM (air), as well as GPM and LPM (water) markings.

Flow meters are individually tested on a Mass Spectrometer Leak Detector and certified to a leak integrity rating of 1×10^{-7} SCCS Helium or better.

Dimensions: mm (in)



FLD2201, \$598, shown smaller than actual size.



SPECIFICATIONS

Accuracy: +5% of full scale

Maximum Temperature:
65°C (150°F) or 121°C (250°F)
for 316SS or brass unit

Maximum Pressure:
10.3 bar (150 psig) @ 93°C (200°F)

Connections: ½ NPT female in line or horizontal rear

Scales: Rotatable, direct reading air (SCFM-SLPM) and water (GPM-LPM). Scale length is 127 mm (5") nominal

Leak Integrity: Individually leak tested and certified

Tube Shields: Polycarbonate

Flow Tubes: Heavy walled precision formed borosilicate glass

Floats: PTFE for PTFE3, 316 SS for 316 SS and brass units

Wetted Parts: PTFE, brass or 316 SS

Seals: PTFE; FKM for 316 SS and brass units

 **MOST POPULAR MODELS HIGHLIGHTED!**

B1

To Order (Specify Model Number)

Vertical In-line

Stainless Steel With Valve		Stainless Steel Without Valve		Maximum Flow			
				Air		Water	
Model No.	Price	Model No.	Price	SCFM	SLPM	GPM	LPM
FLD1001	\$515	FLD1001-NV	\$442	5	140	1.2	4
FLD1002	515	FLD1002-NV	442	10	280	2	8
FLD1003	515	FLD1003-NV	442	15	425	3	11.5
FLD1004	515	FLD1004-NV	442	20	575	4	15
FLD1005	515	FLD1005-NV	442	30	900	5	20
Brass With Valve		Brass Without Valve					
FLD1101	\$349	FLD1101-NV	\$301	5	140	1.2	4
FLD1102	349	FLD1102-NV	301	10	280	2	8
FLD1103	349	FLD1103-NV	301	15	425	3	11.5
FLD1104	349	FLD1104-NV	301	20	575	4	15
FLD1105	349	FLD1105-NV	301	30	900	5	20
PTFE With Valve		PTFE Without Valve					
FLD1201	\$557	FLD1201-NV	\$477	3.5	100	0.8	3
FLD1202	557	FLD1202-NV	477	7	200	1.5	5.75
FLD1203	557	FLD1203-NV	477	10.5	300	2.2	8.25
FLD1204	557	FLD1204-NV	477	14	400	2.9	11
FLD1205	557	FLD1205-NV	477	17.5	500	3.5	13.25
FLD1206	557	FLD1206-NV	477	22	625	4.1	16

Panel Mount

Stainless Steel With Valve		Stainless Steel Without Valve		Air		Water	
				SCFM	SLPM	GPM	LPM
FLD2001	\$525	FLD2001-NV	\$442	5	140	1.2	4
FLD2002	525	FLD2002-NV	442	10	280	2	8
FLD2003	525	FLD2003-NV	442	15	425	3	11.5
FLD2004	525	FLD2004-NV	442	20	575	4	15
FLD2005	525	FLD2005-NV	442	30	900	5	20
Brass With Valve		Brass Without Valve					
FLD2101	\$355	FLD2101-NV	\$301	5	140	1.2	4
FLD2102	355	FLD2102-NV	301	10	280	2	8
FLD2103	355	FLD2103-NV	301	15	425	3	11.5
FLD2104	355	FLD2104-NV	301	20	575	4	15
FLD2105	355	FLD2105-NV	301	30	900	5	20
PTFE With Valve		PTFE Without Valve					
FLD2201	\$598	FLD2201-NV	\$518	3.5	100	0.8	3
FLD2202	598	FLD2202-NV	518	7	200	1.5	5.75
FLD2203	598	FLD2203-NV	518	10.5	300	2.2	8.25
FLD2204	598	FLD2204-NV	518	14	400	2.9	11
FLD2205	598	FLD2205-NV	518	17.5	500	3.5	13.25
FLD2206	598	FLD2206-NV	518	22	625	4.1	16

Comes with complete operator's manual.

For oxygen cleaning add "-02CLEAN" to model number and \$125 to price.

NIST traceable calibration not available.

Ordering Examples: FLD2101, Direct read brass flow meter with valve, \$355. FL1101 vertical in-line direct read brass flow meter with valve, \$349.

omega.co.uk[®]

Your One-Stop Source for Process Measurement and Control!

Freephone 0800 488 488 | International +44(0) 161 777 6622 | Fax +44(0) 161 777 6622 | Sales@omega.co.uk

www.omega.co.uk



UNITED STATES

www.omega.com

1-800-TC-OMEGA
Stamford, CT.

CANADA

www.omega.ca

Laval(Quebec)
1-800-TC-OMEGA

GERMANY

www.omega.de

Deckenfronn, Germany
0800-8266342

UNITED KINGDOM

www.omega.co.uk

Manchester, England
0800-488-488
+44-(0)161-777-6611

FRANCE

www.omega.fr

0800-466-342

BENELUX

www.omega.nl

0800-099-33-44



More than 100,000 Products Available!

• Temperature

Calibrators, Connectors, General Test and Measurement Instruments, Handheld Instruments for Temperature Measurement, Ice Point References, Indicating Labels, Crayons, Cements and Lacquers, Infrared Temperature Measurement Instruments, Recorders, Relative Humidity Measurement Instruments, PT100 Probes, PT100 Elements, Temperature & Process Meters, Timers and Counters, Temperature and Process Controllers and Power Switching Devices, Thermistor Elements, Probes and Assemblies, Thermocouples, Thermowells and Head and Well Assemblies, Transmitters, Thermocouple Wire, RTD Probes

• Flow and Level

Air Velocity Indicators, Doppler Flowmeters, Level Measurement, Magnetic Flowmeters, Mass Flowmeters, Pitot Tubes, Pumps, Rotameters, Turbine and Paddle Wheel Flowmeters, Ultrasonic Flowmeters, Valves, Variable Area Flowmeters, Vortex Shedding Flowmeters

• pH and Conductivity

Conductivity Instrumentation, Dissolved Oxygen Instrumentation, Environmental Instrumentation, pH Electrodes and Instruments, Water and Soil Analysis Instrumentation

• Data Acquisition

Communication Products and Converters, Data Acquisition and Analysis Software, Data Loggers Plug-in Cards, Signal Conditioners, USB, RS232, RS485, Ethernet and Parallel Port Data Acquisition Systems, Wireless Transmitters and Receivers

• Pressure, Strain and Force

Displacement Transducers, Dynamic Measurement Force Sensors, Instrumentation for Pressure and Strain Measurements, Load Cells, Pressure Gauges, Pressure Reference Section, Pressure Switches, Pressure Transducers, Proximity Transducers, Regulators, Pressure Transmitters, Strain Gauges, Torque Transducers, Valves

• Heaters

Band Heaters, Cartridge Heaters, Circulation Heaters, Comfort Heaters, Controllers, Meters and Switching Devices, Flexible Heaters, General Test and Measurement Instruments, Heater Hook-up Wire, Heating Cable Systems, Immersion Heaters, Process Air and Duct, Heaters, Radiant Heaters, Strip Heaters, Tubular Heaters