

Fibre-Optic Input Flow Signal Conditioner for Use with the LIGHTSPEED™ Paddlewheel Flow Sensor

Paddlewheel is Covered by U.S. and Foreign Patents and Pending Applications

- ✓ 0.15% Accuracy
- ✓ 4-20 mA or 1-5 Vdc Output
- ✓ Compact Industrial Design
- ✓ IP-65 Enclosure

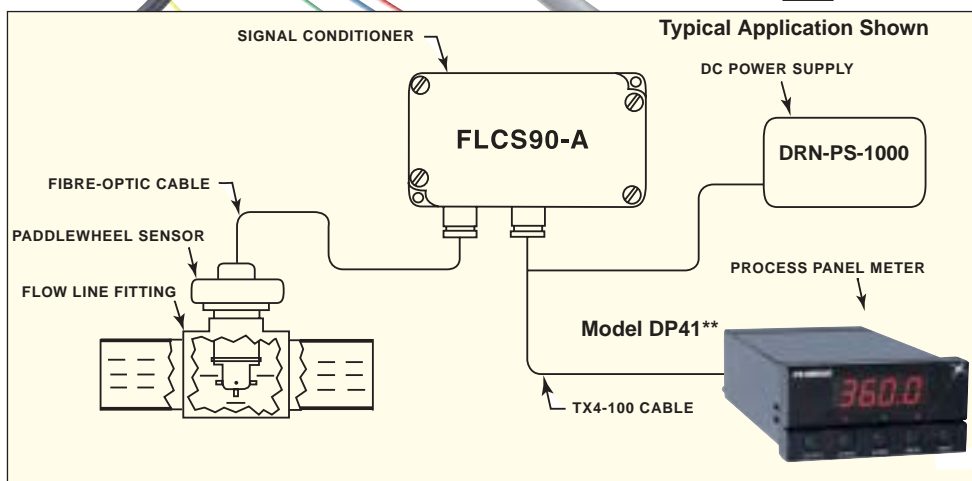
OMEGA's Model FLSC90-A fibre-optic signal conditioner has been designed to interface directly with OMEGA's FP-9000 and FP-9000A series LIGHTSPEED™ paddlewheel flow sensors. The FLSC90-A provides a high intensity light source to the patented paddlewheel sensor through a semi-flexible duplex fibre-optic cable. Returning light pulses are measured and converted by the signal conditioner's electronics to a scalable analogue output that is proportional to the flowrate. The ability of the paddlewheel flow sensor to operate in harsh and heavy electrical noise environments via the fibre optic cable link makes this system ideal for such applications. The industry standard 4-20 mA or 1-5 Vdc analogue output can connect directly to many of OMEGA's process meters, controllers, dataloggers or data acquisition systems.

Model FP9001
Fibre Optic
Flow Sensor

IP-65 Enclosure

FLSC90-A Signal
Conditioner

Model
FLSC90-A
£320
Basic Model



**See Section S for additional meters

IN STOCK FOR FAST DELIVERY!

SPECIFICATIONS

Accuracy: $\pm 0.15\%$ of full scale

Repeatability: ± 0.025

Input: Light pulses from fibre optic flow sensor (FP-9000 Series) See Note*

Min. Input Frequency: 65 Hz

Max. Input Frequency: 960 Hz

Ambient Operating Range:

0 to 49°C (32 to 120°F)

Power: 8-32 Vdc @ 40 mA

Outputs (3-Wire Configuration):

4-20 mA/1-5 Vdc (Field Selectable)

Maximum Loop Resistance:

(Vsupply-8V)/.020 A = Ohms

Dimensions: 114.5 L x 63.5 W x

35 mm H (4.51 x 2.50 x 1.38")

Storage Temperature:

-20 to 65°C (-4 to 149°F)

Enclosure/Class:

Die cast aluminium, IP-65

Weight: 238 g (8.3 oz)

To Order (Specify Model Number)

Model No.	Price	Description
FLSC90-A	£320	Fibre optic signal conditioner

Ordering Example: FLSC90-A, fibre-optic signal conditioner, plus TX4-100, 4-conductor power/output cable, plus DRN-PS-1000, 24 Vdc power supply, £320 + 23.25 + 123 = £466.25

Accessories

Model No.	Price	Description
TX4-100	£23.25	4-conductor power/output cable 30m
DRN-PS-1000	123	24 Vdc power supply. DIN Rail Mount
FLSC90-CA9*	28.50	Fibre-optic extension cable 2.7 m

*Note: Only one extension cable can be used to extend the paddlewheel a maximum of 5.4m (18') from the FLSC90-A signal conditioner.

