

BATCH CONTROLLERS

FPM-9020A

\$833



- ✓ **User-Friendly Menu with Simple Setup and Operation**
- ✓ **Easy Batch-Size Changeability**
- ✓ **Applications Include Chemical Addition, Battery Manufacture, Canning/Bottling, and Industrial Laundering**

The FPM-9020A batch controller was designed for simple, single-function batching systems. A user-selectable menu allows easy configuration of current and relay options. One relay provides batch in-progress alarming, and the other can be used for a 2-stage shutdown, over-run alarm, end-of-batch, or missing signal alarm.

SPECIFICATIONS

Accuracy: ±0.5% of reading

Operating Range:

0.5 to 1000 Hz, optically isolated

Power Requirements: 12 to 24 Vac or 12 to 24 Vdc, unregulated, 50 to 60 Hz, 10 W max

Display:

Analog: Reversible dial, 0 to 100% or 100 to 0%

Digital: Backlit 2 x 16 character alphanumeric LCD

Batch Size: 0 to 999999 engineering units

Totalizer: 8-digit resettable and non-resettable

Current Output: 4 to 20 mA, non-isolated, internally powered

Loop Impedance: 350 Ω max @ 12V, 950 Ω max @ 24V

Accuracy: ±0.1%

Configurations: Batch completion, valve control or end-of-batch

Alarm Contacts: 2 SPDT relays: 5 A @ 30 Vdc max, 5 A @ 125 Vac, or 3 A @ 250 Vac

Batch: Batch in-progress

Programming Options: 2-stage shutdown, over-run alarm, end-of-batch pulse, missing signal alarm

Additional Functions: EOB pulse, remote start, stop, resume

Operating Conditions:

Operating Temperature: -10 to 55°C (14 to 131°F)

Relative Humidity: 0 to 95%, non-condensing

Accuracy: ±0.5% of reading

Materials:

Enclosure: ABS plastic, NEMA 4X (IP66)

Keypad: Silicone rubber

Panel and Case Gasket: Neoprene®

Window: Hard-coated polycarbonate

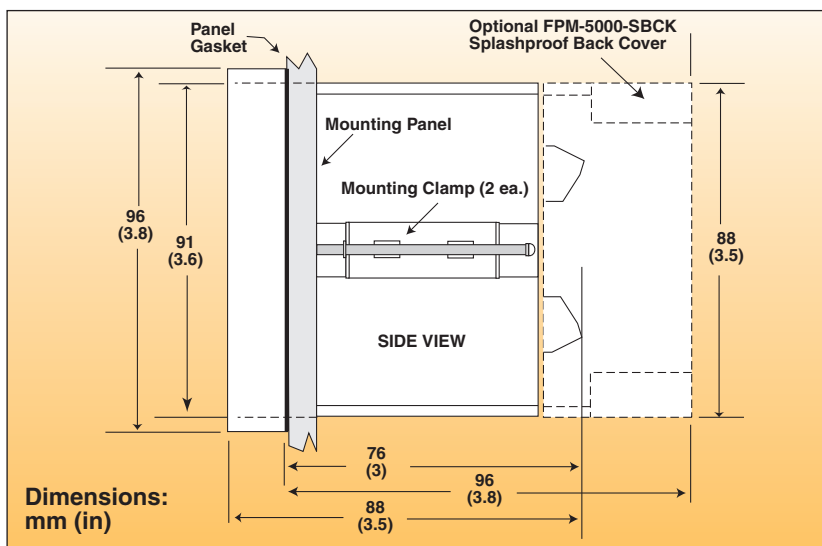
Weight: 500 g (18 oz)

Compatible Sensors:

FP-5300/5100, FP-5200, and FP-6000, (pages F-27 through F-30, F-39), and FP-5600 (page F-34)



FPM-9020A, \$833, shown smaller than actual size.



AVAILABLE FOR FAST DELIVERY!

To Order (Specify Model Number)

Model No.	Price	Description
FPM-9020A	\$833	Batch controller, panel mount

Accessories (Also See omega.com/fpm5000)

Model No.	Price	Description
FPM-5000-SBCK	\$42	Splashproof back cover kit
FPM-5000-LTCK	40	Liquid-tight connector kit
FPM-5000-MB	31	Mounting bracket
FPM-5000-RAK	25	Retrofit adaptor kit

Comes complete with operator's manual.

Ordering Examples: FPM-9020A, batch controller, \$833. FPM-9020A, batch controller and OCW-3, OMEGACARESM extended warranty, \$208. OCW-3, OMEGACARESM extends standard 1-year warranty to a total of 4 years, \$833 + 208 = \$1041.

OMEGACARESM extended warranty program is available for models shown on this page. Ask your sales representative for full details when placing an order. OMEGACARESM covers parts, labor and equivalent loaners.

Recommended Reference Book: Instrumentation for Engineering Measurement, PE-1011, \$126. See Section Y for Additional Books.



omega.co.uk®

Your One-Stop Source for Process Measurement and Control!

Freephone 0800 488 488 | International +44(0) 161 777 6622 | Fax +44(0) 161 777 6622 | Sales@omega.co.uk

www.omega.co.uk



UNITED STATES

www.omega.com

1-800-TC-OMEGA
Stamford, CT.

UNITED KINGDOM

www.omega.co.uk

Manchester, England
0800-488-488
+44-(0)161-777-6611

CANADA

www.omega.ca

Laval(Quebec)
1-800-TC-OMEGA

FRANCE

www.omega.fr

0800-466-342

GERMANY

www.omega.de

Deckenfronn, Germany
0800-8266342

BENELUX

www.omega.nl

0800-099-33-44



More than 100,000 Products Available!

• Temperature

Calibrators, Connectors, General Test and Measurement Instruments, Handheld Instruments for Temperature Measurement, Ice Point References, Indicating Labels, Crayons, Cements and Lacquers, Infrared Temperature Measurement Instruments, Recorders, Relative Humidity Measurement Instruments, PT100 Probes, PT100 Elements, Temperature & Process Meters, Timers and Counters, Temperature and Process Controllers and Power Switching Devices, Thermistor Elements, Probes and Assemblies, Thermocouples, Thermowells and Head and Well Assemblies, Transmitters, Thermocouple Wire, RTD Probes

• Flow and Level

Air Velocity Indicators, Doppler Flowmeters, Level Measurement, Magnetic Flowmeters, Mass Flowmeters, Pitot Tubes, Pumps, Rotameters, Turbine and Paddle Wheel Flowmeters, Ultrasonic Flowmeters, Valves, Variable Area Flowmeters, Vortex Shedding Flowmeters

• pH and Conductivity

Conductivity Instrumentation, Dissolved Oxygen Instrumentation, Environmental Instrumentation, pH Electrodes and Instruments, Water and Soil Analysis Instrumentation

• Data Acquisition

Communication Products and Converters, Data Acquisition and Analysis Software, Data Loggers Plug-in Cards, Signal Conditioners, USB, RS232, RS485, Ethernet and Parallel Port Data Acquisition Systems, Wireless Transmitters and Receivers

• Pressure, Strain and Force

Displacement Transducers, Dynamic Measurement Force Sensors, Instrumentation for Pressure and Strain Measurements, Load Cells, Pressure Gauges, Pressure Reference Section, Pressure Switches, Pressure Transducers, Proximity Transducers, Regulators, Pressure Transmitters, Strain Gauges, Torque Transducers, Valves

• Heaters

Band Heaters, Cartridge Heaters, Circulation Heaters, Comfort Heaters, Controllers, Meters and Switching Devices, Flexible Heaters, General Test and Measurement Instruments, Heater Hook-up Wire, Heating Cable Systems, Immersion Heaters, Process Air and Duct, Heaters, Radiant Heaters, Strip Heaters, Tubular Heaters