

LARGE DISPLAY METER FOR DIGITAL INPUT



LDPF63000, \$515, shown smaller than actual size.

LDPF63000
\$515



- ✓ Large LED Display
Readable to 21 m (70')
- ✓ Digital Input Module;
Count and Rate Input
Serial Slave
- ✓ Alarms, Analog Output,
and Communication
- ✓ Programmable
User Inputs
- ✓ Programmable
Function Keys
- ✓ PC Software for
Meter Configuration
- ✓ NEMA 4 (IP65)

The LDPF63000 display is a versatile display that can increase productivity by offering the plant floor or production area a large visual display of their current status. Whether your measurement is rate or count, the LDPF63000 can satisfy your requirement. These LDPF63000 displays accept various digital inputs through the use of input modules that allow the unit to adapt to most any application. Additional plug-in option cards can add alarms, analog output, and communication/bus capabilities, making the LDPF63000 a truly intelligent panel meter.

SPECIFICATIONS

Rate Display

Accuracy: $\pm 0.01\%$
Min Frequency: 0.01 Hz
Max Frequency: 34 kHz
 (depending on set-up)
Max Display:

6 Digits: 999999

Adjustable Display (Low) Update:
0.1 to 99.9 seconds

Counter Displays

Maximum Display:
8-Digits: ± 99999999 (greater than
6-digits display alternates between
high order and low order)

M-X

Inputs A and B

DIP switch selectable to accept pulses from a variety of sources including switch contacts, TTL outputs, magnetic pickups and all standard sensors

Logic: Input trigger levels $V_{IL} = 1.5V$ max;
 $V_{IH} = 3.75V$ min

Current Sinking: Internal 7.8 k Ω
pull-up to 12 Vdc, $I_{MAX} = 1.9$ mA

Current Sourcing: Internal 3.9 k Ω
pull-down, 7.3 mA max @ 28 Vdc,
 $V_{MAX} = 30$ Vdc

Filter: Damping capacitor provided for switch contact bounce. Limits input frequency to 50 Hz and input pulse widths to 10 msec minimum

Magnetic Pickup

Sensitivity: 200 mV peak

Hysteresis: 100 mV

Input Impedance: 3.9 k Ω @ 60 Hz

Max Input Voltage: $\pm 40V$ peak, 30 Vrms

Dual Count Modes: When any dual count mode is used, then user inputs 1 and/or 2 will accept the second signal of each signal pair. The user inputs do not have the Logic/Mag, High/Low Freq, and Sink/Source input setup switches. The user inputs are inherently a logic input with no low frequency filtering. Any mechanical contacts used for these inputs in a dual count mode must be debounced externally. The user input may only be selected for sink/source by the user jumper placement.

M



Prescaler Output

NPN Open Collector: $I_{SNK} = 100$ mA max @ $V_{OL} = 1$ Vdc max $V_{OH} = 30$ Vdc max with duty cycle of 25% min and 50% max

Display: 38 mm (1.5") red LED

Power: 85 to 250 Vac, 50/60 Hz, 18 VA

Annunciators: A, B, C, SP1, SP2, SP3, and SP4

Keypad: Five tactile membrane switches integrated into the front panel

Environmental Conditions

Operating Temperature Range: 0 to 45°C (32 to 113°F)

Storage Temperature Range: -40 to 60°C (-40 to 140°F)

Operating and Storage Humidity: 0 to 85% max RH (non-condensing)

Altitude: Up to 2000 m (1.24 mi)

Mounting Requirements

Max panel thickness is 9.5 mm (0.375")
Min panel thickness for NEMA 4 (IP65) sealing is 1.57 mm (0.060")

Connections: All wiring connections are made to the module via high compression cage-clamp terminal blocks. Wiring instructions are provided.

Construction: Steel front panel, enclosure, and rear cover with textured black polyurethane paint for scratch and corrosion resistance protection. Sealed front panel meets NEMA 4 (IP65) specifications for indoor use when properly installed. Installation Category II, Pollution Degree II. Panel gasket and keps nuts included.

Weight: 1.2 kg (2.7 lb) (less module)

OPTION BOARDS SPECIFICATIONS

RS485 Communication Card: (LDP6-CDC10 or LDP6-CDC1C)

Type: RS485 multi-point balanced interface

Isolation to Sensor and User

Input Commons: 500 Vrms for 1 min

Working Voltage: 50V not isolated from all other commons

Baud Rate: 300 to 19.2k

Data Format: 7/8 bits; odd, even, or no parity

Bus Address: 0 to 99, max 32 meters per line

Transmit Delay: Selectable 2 to 50 msec or 50 to 100 msec

RS232 Communication Card (LDP6-CDC20 or LDP6-CDC2C)

Type: RS232 half duplex

Isolation to Sensor and User

Input Commons: 500 Vrms for 1 min

Working Voltage: 50V not Isolated from all other commons

Baud Rate: 300 to 19.2k

Data Format: 7/8 bits; odd, even or no parity

MODBUS® Communications Card (LDP6-CDC40 or LDP6-CDC4C)

Type: RS485; RTU and ASCII MODBUS modes

Isolation to Sensor and User Input

Commons: 500 Vrms for 1 minute

Working Voltage: 50V not isolated from all other commons

Baud Rates: 300 to 38400

Data: 7/8 bits

Parity: No, odd, or even

Addresses: 1 to 247

Analog Output Card (LDP6-CDL)

Types: 0 to 20 mA, 4 to 20 mA and 0 to 10 Vdc

Isolation to Sensor and User Input

Commons: 500 Vrms for 1 min

Working Voltage: 50V not isolated from all other commons

Accuracy: 0.17% of FS (18 to 28°C); 0.4% of FS (0 to 50°C)

Resolution: 1/3500

Compliance:

10 Vdc: 10 kΩ load min

20 mA: 500 Ω load max

Update Time: 200 msec max to within 99% of final readout value (digital filter and internal zero correction disabled) 700 msec max (digital filter disabled, internal zero correction enabled)

LDP63000-AC: 1 sec max to within 99% of final readout value (digital filter disabled)

Setpoint Output Cards (Four Types of Field Installable Cards)

Response Time: 200 msec max to within 99% of final readout value (digital filter and internal zero correction disabled) 700 msec max (digital filter disabled, internal zero correction enabled)

LDP63000-AC Only: 1s max to within 99% of final readout value (digital filter disabled)

LDP63000-T Only: 200 msec typ.; 700 msec max (digital filter disabled)

Dual Relay Card (LDP6-CDS10)

Type: Two Form C (SPDT) relays

Isolation to Sensor and User Input

Commons: 2000 Vrms for 1 min

Working Voltage: 250V

Contact Rating:

One Relay Energized: 5 A @ 120/240 Vac or 28 Vdc (resistive load), ½ HP @ 120 Vac, inductive load total current with both relays energized not to exceed 5 A

Life Expectancy: 100k cycles min at full load rating. External RC snubber extends relay life for operation with inductive loads.

Quad Relay Card (LDP6-CDS20)

Type: Four Form A (SPST) relays

Isolation to Sensor and User Input

Commons: 2300 Vrms for 1 min

Working Voltage: 250 Vrms

Contact Rating:

One Relay Energized: 3 A @ 250 Vac or 30 Vdc (resistive load), ¼ HP @ 120 Vac, inductive load total current with all four relays energized not to exceed 4 A

Life Expectancy: 100k cycles min at full load rating. External RC snubber extends relay life for operation with inductive loads.

Quad Sinking Open Collector (LDP6-CDS30)

Type: Four isolated sinking NPN transistors

Isolation to Sensor and User

Input Commons: 500 Vrms for 1 min

Working Voltage: 50V not isolated from all other commons

Rating: 100 mA max @ $V_{sat} = 0.7V$ max $V_{max} = 30V$

Quad Sourcing Open Collector (LDP6-CDS40)

Type: Four isolated sourcing PNP transistors

Isolation to Sensor and User

Input Commons: 500 Vrms for 1 min

Working Voltage: 50V not isolated from all other commons

Rating:

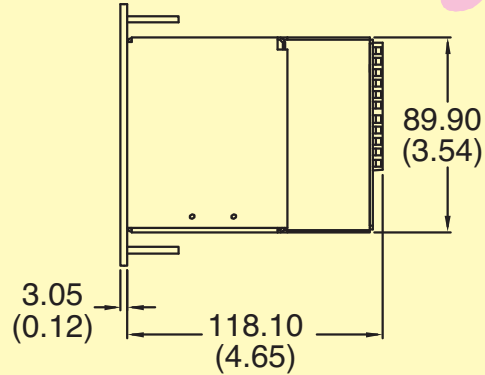
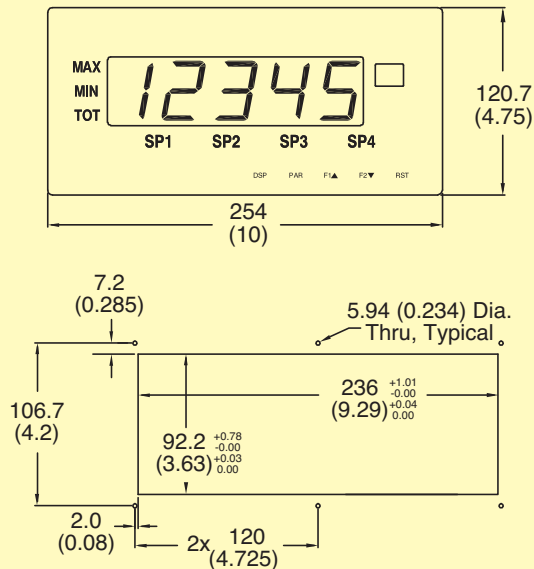
Internal Supply: 24 Vdc $\pm 10\%$, 30 mA max total all four

External Supply: 30 Vdc max, 100 mA max each output

Programming Software

(Free download at omega.com/dp6soft)

Allows configuration of the LDPF63000 meter from a PC. This software offers standard drop-down menu commands, that make it easy to program the meter. The unit program can then be saved in a PC file for future use. A serial plug-in card is required to program the meter using the software.



Dimensions: mm (in)

AVAILABLE FOR FAST DELIVERY!

To Order (Specify Model Number)

Model No.	Price	Description (Display Meter Only, No Outputs)
LDPF63000	\$515	Large display meter, digital inputs, 85 to 250 Vac power

Optional Plug-in Output Cards (Field Installable)

Model No.	Price	Description
Setpoint Alarms (Only 1 Alarm Card Can Be Installed Into Base Meter)		
LDP6-CDS10	\$37	Dual setpoint relay output card
LDP6-CDS20	28	Quad setpoint relay output card
LDP6-CDS30	37	Quad setpoint sinking open collector output card
LDP6-CDS40	37	Quad setpoint sourcing open collector output card
Analog Output		
LDP6-CDL10	\$74	Analog output card
Communications (Only 1 Communications Card Can Be Installed Into Base Meter)		
LDP6-CDC10	\$48	RS485 serial communications output card with terminal block
LDP6-CDC1C	48	Extended RS485 serial communications output card with dual RJ11 connector
LDP6-CDC20	48	RS232 serial communications output card with terminal block
LDP6-CDC2C	48	Extended RS232 serial communications output card with 9-pin D connector
LDP6-CDC40	58	MODBUS® communications card
LDP6-CDC4C	58	Extended MODBUS communications card with dual RJ11 connector

Accessories (Field Installable)

Model No.	Price	Description
LDP6-PGM	\$61	Remote programming module with 3 m (10') cable
LDP6-ENC12	168	NEMA 4 (IP65) enclosure
LDP631-SHR	52	Shroud cover for high intensity light environments
LDP6-EN/SH	209	NEMA 4 (IP65) enclosure with shroud

Software is free. Download from omega.com/dp6soft
Comes complete with operator's manual.

Note: Adding option cards—meters can be fitted with up to 3 optional plug-in cards, however, only 1 card from each function type can be installed at a time. The function types include setpoint alarms, analog output and communications. The cards can be installed initially or at a later date. Each optional plug-in card is shipped with installation and programming instructions.

Ordering Example: LDPF63000, large display meter, digital inputs, 85 to 250 Vac power, and LDP6-CDL10 analog output card, \$515 + 74 = \$589.

Recommended Reference Book: Grounding and Shielding Techniques, **EE-1319, \$95.** See Section Y for Additional Books



omega.co.uk[®]

Your One-Stop Source for Process Measurement and Control!

Freephone 0800 488 488 | International +44(0) 161 777 6622 | Fax +44(0) 161 777 6622 | Sales@omega.co.uk

www.omega.co.uk



UNITED STATES

www.omega.com

1-800-TC-OMEGA
Stamford, CT.

UNITED KINGDOM

www.omega.co.uk

Manchester, England
0800-488-488
+44-(0)161-777-6611

CANADA

www.omega.ca

Laval(Quebec)
1-800-TC-OMEGA

FRANCE

www.omega.fr

0800-466-342

GERMANY

www.omega.de

Deckenfronn, Germany
0800-8266342

BENELUX

www.omega.nl

0800-099-33-44



More than 100,000 Products Available!

• Temperature

Calibrators, Connectors, General Test and Measurement Instruments, Handheld Instruments for Temperature Measurement, Ice Point References, Indicating Labels, Crayons, Cements and Lacquers, Infrared Temperature Measurement Instruments, Recorders, Relative Humidity Measurement Instruments, PT100 Probes, PT100 Elements, Temperature & Process Meters, Timers and Counters, Temperature and Process Controllers and Power Switching Devices, Thermistor Elements, Probes and Assemblies, Thermocouples, Thermowells and Head and Well Assemblies, Transmitters, Thermocouple Wire, RTD Probes

• Flow and Level

Air Velocity Indicators, Doppler Flowmeters, Level Measurement, Magnetic Flowmeters, Mass Flowmeters, Pitot Tubes, Pumps, Rotameters, Turbine and Paddle Wheel Flowmeters, Ultrasonic Flowmeters, Valves, Variable Area Flowmeters, Vortex Shedding Flowmeters

• pH and Conductivity

Conductivity Instrumentation, Dissolved Oxygen Instrumentation, Environmental Instrumentation, pH Electrodes and Instruments, Water and Soil Analysis Instrumentation

• Data Acquisition

Communication Products and Converters, Data Acquisition and Analysis Software, Data Loggers Plug-in Cards, Signal Conditioners, USB, RS232, RS485, Ethernet and Parallel Port Data Acquisition Systems, Wireless Transmitters and Receivers

• Pressure, Strain and Force

Displacement Transducers, Dynamic Measurement Force Sensors, Instrumentation for Pressure and Strain Measurements, Load Cells, Pressure Gauges, Pressure Reference Section, Pressure Switches, Pressure Transducers, Proximity Transducers, Regulators, Pressure Transmitters, Strain Gauges, Torque Transducers, Valves

• Heaters

Band Heaters, Cartridge Heaters, Circulation Heaters, Comfort Heaters, Controllers, Meters and Switching Devices, Flexible Heaters, General Test and Measurement Instruments, Heater Hook-up Wire, Heating Cable Systems, Immersion Heaters, Process Air and Duct, Heaters, Radiant Heaters, Strip Heaters, Tubular Heaters