

OMEGA-FLO® “BLACK MUSHROOM” ANGLE SEAT VALVES

2-Way Piston-Operated Valves for Liquids, Gases, and Steam
½ to 2 NPT

SV-2000 Series
Starts at

\$219



- ✓ Alternative to Complex Actuated Ball Valves
- ✓ Ideal for All Neutral and Some Aggressive Fluids
- ✓ Optical Position Indication Standard
- ✓ High Cycle Life, Very Cost Effective
- ✓ Available in Bronze or Stainless Steel Body
- ✓ Spring-Loaded, Double Stem Seal
- ✓ For Water, Steam, Compressed Air, Natural Gas, Oil, or Vacuum Service

APPLICATIONS

- ✓ Air Drying Equipment
- ✓ Industrial Compressors
- ✓ Sterilizers
- ✓ Pollution Control Equipment
- ✓ Autoclaves
- ✓ Bottling, CIP, and Laundry Equipment
- ✓ Textile Dyeing and Drying

SV-2000 Series “black mushroom” angle seat valves are ideal for on/off fluid control applications in which an actuated ball valve might normally be used. These 2-way, externally piloted valves are operated by a single- or double-acting piston actuator. Sizes range from ½ to 2 NPT. The average life of SV-2000 valves is twice that of ball valves, and they are less expensive! In addition, their compact design makes them easier to use in OEM applications. Easy to install, they

feature a rotatable actuator for selective positioning of the pneumatic pilot inlet port. Standard features include visual position indicators, an articulated seat holder that ensures positive sealing, and spring-loaded double PTFE seals that separate and isolate the process fluid. Maintenance is simple. During replacement of the seat seal, the valve body remains in the line. Servicing the actuator is safe and fast, since there is no pre-loaded spring tension on the housing.

J-29a



SV-2021, \$219,
shown smaller
than actual size.

SPECIFICATIONS

Materials

Valve Body: Bronze or 316 SS

Flange and Spindle: 316 SS

Seat Seal: PTFE

Gland Packing: PTFE and FKM
O-rings with spring compensation

Springs: Piston return, gland
packing compensator

Actuator Housing: Polyimide

Pilot Fluid: Air, neutral gases

Pilot Connections: ¼"

Min Control Pressure:

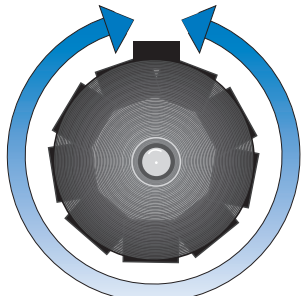
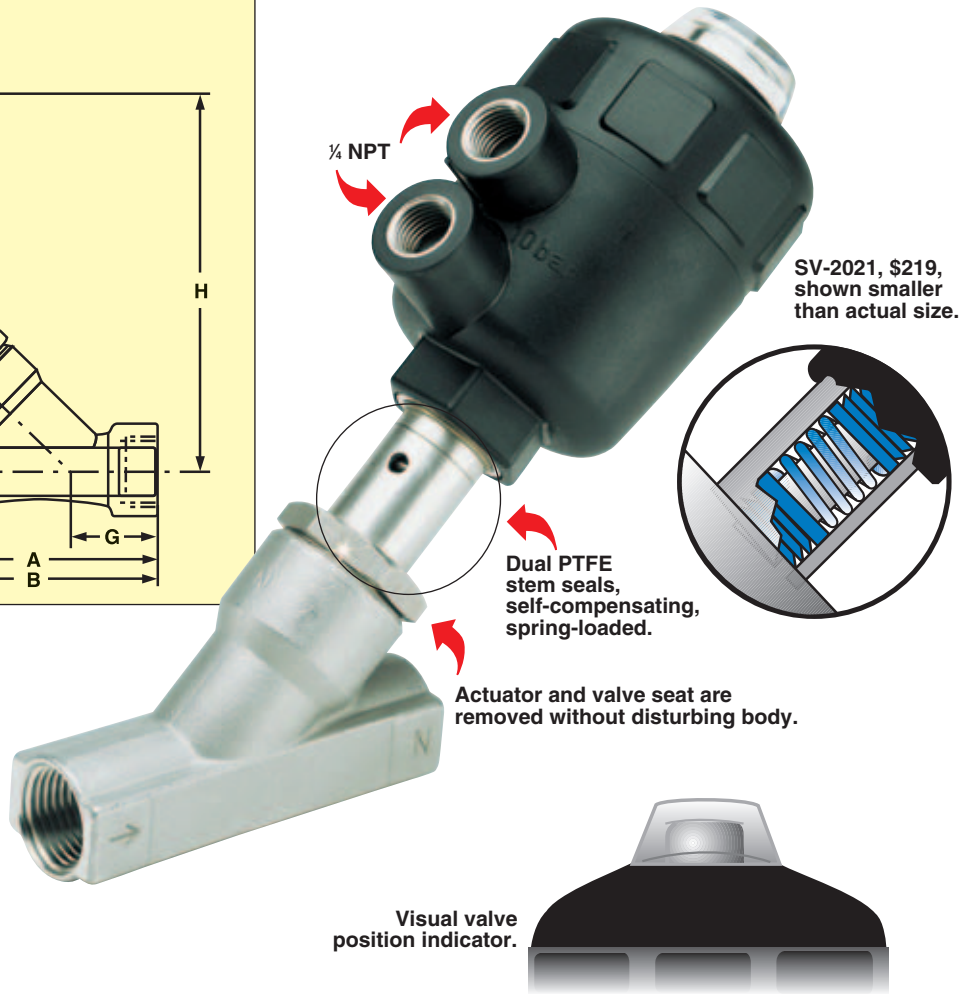
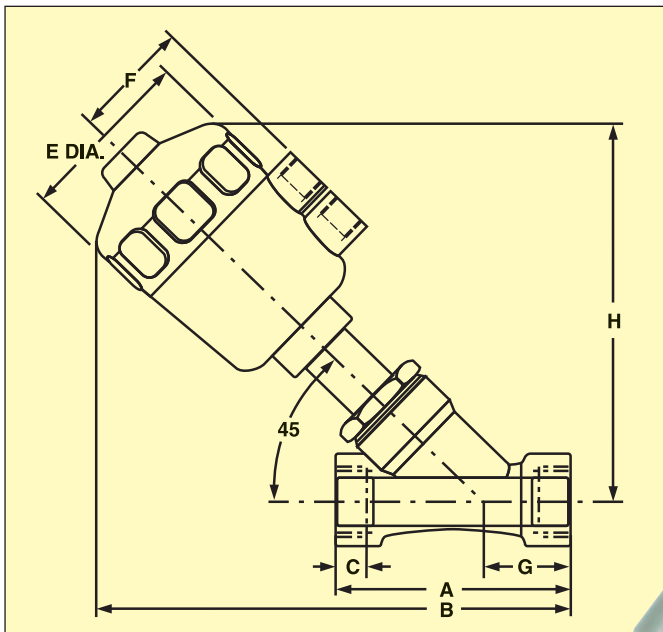
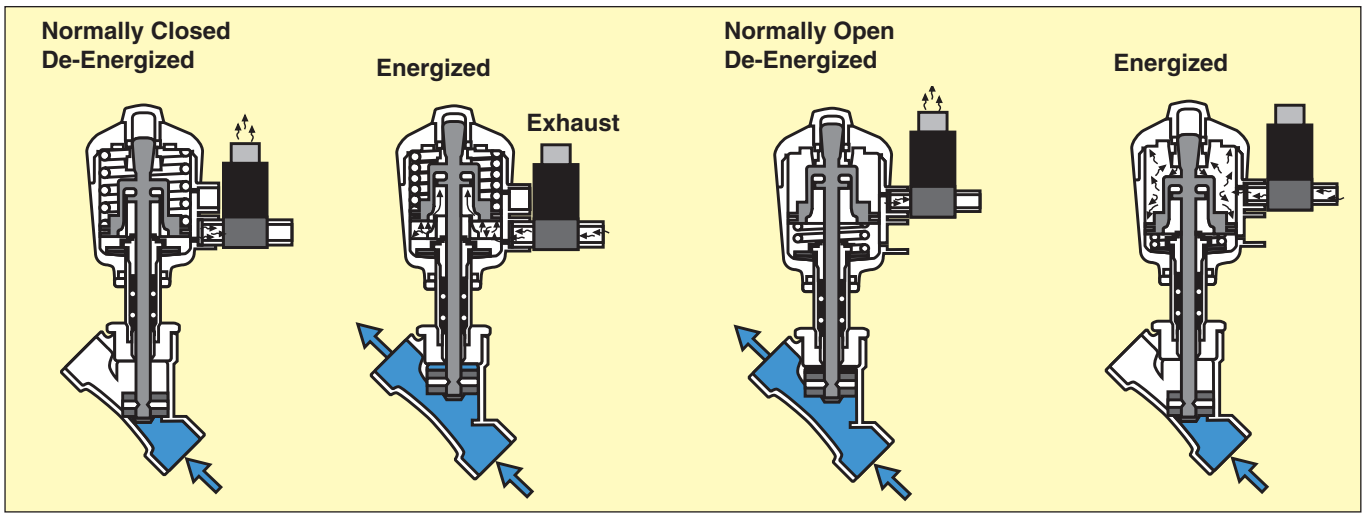
See ordering matrix

Max Control Pressure: 140 psi

Temperature

Ambient: -10 to 60°C (14 to 140°F)

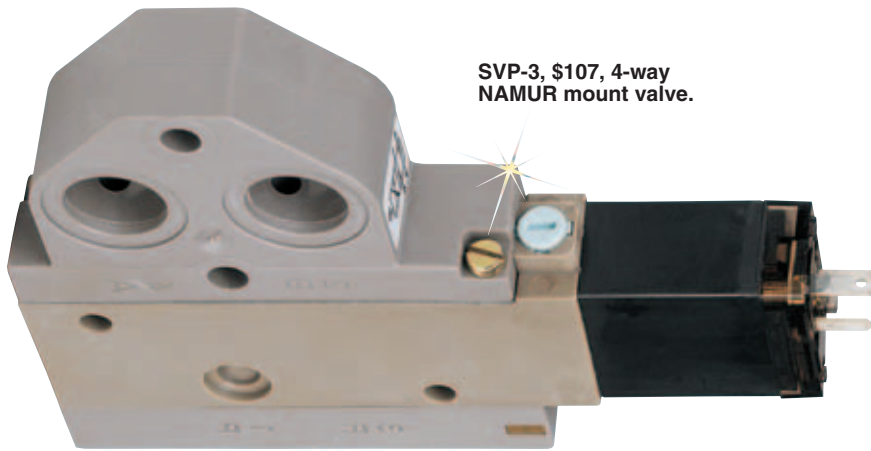
Fluid: -10 to 180°C (14 to 356°F)



360° positioning of pneumatic inlet.

Dimensions: mm (in)

Function	NO/NC Units			Normally Closed (NC) Units				Normally Open (NO) Units			
Port Size	1/2"	3/4"	1"	1 1/4"	1 1/2"	2"	2 1/2"	1 1/4"	1 1/2"	2"	2 1/2"
A	85 (3.35)	95 (3.74)	105 (4.13)	120 (4.72)	130 (5.12)	150 (5.90)	185 (7.28)	120 (4.72)	230 (5.12)	150 (5.90)	185 (7.28)
B	173 (6.81)	178 (7.01)	212(8.35)	255 (10.04)	301 (11.85)	346 (13.62)	372 (14.64)	226 (8.90)	250 (9.84)	270 (10.63)	296 (11.65)
C	12 (0.47)	12 (0.47)	14 (0.55)	16 (0.63)	18 (0.71)	20 (0.79)	22 (0.87)	16 (0.63)	18 (0.71)	20 (0.79)	22 (0.87)
E	64 (2.52)	64 (2.52)	80 (3.15)	101 (3.98)	127 (5.00)	153 (6.02)	153 (6.02)	80 (3.15)	101 (3.98)	101 (3.98)	101 (3.98)
F	44 (1.73)	44 (1.73)	52 (2.05)	60 (2.36)	73 (2.87)	86 (3.38)	86 (3.38)	52 (2.05)	60 (2.36)	60 (2.36)	60 (2.36)
G	33 (1.30)	36 (1.42)	39 (1.53)	41 (1.61)	41 (1.61)	45 (1.77)	57 (2.24)	41 (1.61)	41 (1.61)	45 (1.77)	57 (2.24)
H	137 (5.39)	145 (5.71)	173 (6.81)	210 (8.27)	260 (10.24)	301 (11.85)	315 (12.40)	186 (7.32)	213 (8.38)	225 (8.86)	239 (9.41)
Actuator ø	50.8 (2.0)	50.8(2.0)	63.5 (2.5)	78.7 (3.1)	99 (3.9)	124.5(4.9)	124.5 (4.9)	3.5 (2.5)	78.7 (3.1)	78.7(3.1)	78.7 (3.1)



SVP-3, \$107, 4-way NAMUR mount valve.



SV-1601A, \$197, shown larger than actual size.

Recommended Pilot Valves

Model No.	Page	Description	Body Material	Port Size	Orifice Size	Coil Voltage
SV-1601A	omega.com/sv1600 \$197	3-way, internally piloted poppet valve with epoxy encapsulated coil and Buna seals	Plastic	1/4"	1/4"	0.97 Cv
SVP-3	J-38 \$107	4-way NAMUR mount valve for double actuation	Polyimide	1/8 NPT	5/32"	120 Vdc, 50/60 Hz 24 Vdc or Vac, 50/60 Hz

MOST POPULAR MODELS HIGHLIGHTED!

To Order (Specify Model Number)								
Stainless Steel								
Model No.	Price	Port Size (NPT)	Cv	Max Operating Pressure/Differential Pressure (psi)	Control Function	Actuator Size mm (in)	Min Control Pressure, psi (NC Only)	Wt. kg (lb)
SV-2001	\$375	1/2	4.9	230	NC	50 (1.97)	55	0.8 (1.8)
SV-2002	375	1/2	4.9	230	NO	50 (1.97)		0.8 (1.8)
SV-2003	397	3/4	9.3	115	NC	50 (1.97)		1.0 (2.1)
SV-2005	453	1	22.1	140	NC	63 (2.48)	65	1.8 (4.0)
SV-2006	453	1	22.1	227	NO	63 (2.48)		1.8 (4.0)
SV-2009	789	1 1/2	48.7	205	NC	100 (3.94)		4.0 (8.8)
SV-2011	1099	2	64.1	170	NC	125 (4.92)	65	10.2 (22.5)
SV-2012	905	2	64.1	140	NO	80 (3.15)		6.5 (14.3)
Bronze								
SV-2021	\$219	1/2	4.9	230	NC	50 (1.97)	55	0.8 (1.8)
SV-2022	219	1/2	4.9	230	NO	50 (1.97)	65	0.8 (1.8)
SV-2025	253	1	22.1	140	NC	63 (2.48)	65	1.8 (4.0)
SV-2026	260	1	22.1	227	NO	63 (2.48)	65	1.8 (4.0)
SV-2027	485	1 1/4	32.0	205	NC	80 (3.15)		2.5 (6.8)
SV-2029	583	1 1/2	48.7	205	NC	100 (3.94)		4.0 (8.8)
SV-2031	653	2	64.1	170	NC	125 (4.92)		10.2 (22.5)

Comes complete with operator's manual.

Ordering Example: SV-2025, bronze valve, 1 NPT, 22.1 Cv, 140 max operating pressure, NC operation, \$253.

omega.co.uk[®]

Your One-Stop Source for Process Measurement and Control!

Freephone 0800 488 488 | International +44(0) 161 777 6622 | Fax +44(0) 161 777 6622 | Sales@omega.co.uk

www.omega.co.uk



UNITED STATES

www.omega.com

1-800-TC-OMEGA
Stamford, CT.

UNITED KINGDOM

www.omega.co.uk

Manchester, England
0800-488-488
+44-(0)161-777-6611

CANADA

www.omega.ca

Laval(Quebec)
1-800-TC-OMEGA

FRANCE

www.omega.fr

0800-466-342

GERMANY

www.omega.de

Deckenfronn, Germany
0800-8266342

BENELUX

www.omega.nl

0800-099-33-44



More than 100,000 Products Available!

• Temperature

Calibrators, Connectors, General Test and Measurement Instruments, Handheld Instruments for Temperature Measurement, Ice Point References, Indicating Labels, Crayons, Cements and Lacquers, Infrared Temperature Measurement Instruments, Recorders, Relative Humidity Measurement Instruments, PT100 Probes, PT100 Elements, Temperature & Process Meters, Timers and Counters, Temperature and Process Controllers and Power Switching Devices, Thermistor Elements, Probes and Assemblies, Thermocouples, Thermowells and Head and Well Assemblies, Transmitters, Thermocouple Wire, RTD Probes

• Flow and Level

Air Velocity Indicators, Doppler Flowmeters, Level Measurement, Magnetic Flowmeters, Mass Flowmeters, Pitot Tubes, Pumps, Rotameters, Turbine and Paddle Wheel Flowmeters, Ultrasonic Flowmeters, Valves, Variable Area Flowmeters, Vortex Shedding Flowmeters

• pH and Conductivity

Conductivity Instrumentation, Dissolved Oxygen Instrumentation, Environmental Instrumentation, pH Electrodes and Instruments, Water and Soil Analysis Instrumentation

• Data Acquisition

Communication Products and Converters, Data Acquisition and Analysis Software, Data Loggers Plug-in Cards, Signal Conditioners, USB, RS232, RS485, Ethernet and Parallel Port Data Acquisition Systems, Wireless Transmitters and Receivers

• Pressure, Strain and Force

Displacement Transducers, Dynamic Measurement Force Sensors, Instrumentation for Pressure and Strain Measurements, Load Cells, Pressure Gauges, Pressure Reference Section, Pressure Switches, Pressure Transducers, Proximity Transducers, Regulators, Pressure Transmitters, Strain Gauges, Torque Transducers, Valves

• Heaters

Band Heaters, Cartridge Heaters, Circulation Heaters, Comfort Heaters, Controllers, Meters and Switching Devices, Flexible Heaters, General Test and Measurement Instruments, Heater Hook-up Wire, Heating Cable Systems, Immersion Heaters, Process Air and Duct, Heaters, Radiant Heaters, Strip Heaters, Tubular Heaters