

HIGH-TEMPERATURE, LOW-MASS, VACUUM-FORMED CERAMIC RADIANT HEATERS

Full Cylinder Heaters

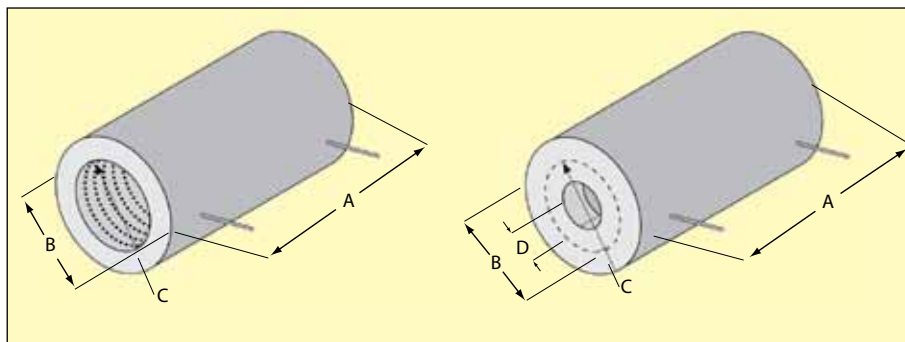
CRFC Series



- ✓ Rated to 982°C (1800°F)
- ✓ Fast Heat-Up and Cool Down
- ✓ Greater Temperature Uniformity
- ✓ Lower Operating Costs
- ✓ Heating Element and Insulation in One

APPLICATIONS

- ✓ Tube Furnaces
- ✓ Annealing Ovens
- ✓ Pipe Heating



OMEGALUX® CRFC and CRWS Series radiant heaters are produced using high-quality and high-purity, vacuum-formed ceramic fiber, with low-sodium inorganic bond. Helically wound iron-chrome-aluminum wire elements assure top quality in this extra-efficient, low watt density series. The helically wound wire is embedded into the vacuum-formed ceramic fiber.

SPECIFICATIONS

Full and Semi Cylinders Models:
Wattage: 220 to 9500 Watts
Voltage: 60, 120 and 240 Vac
Leads: 10 Standard

Note: CR Series heaters are intended for "radiant" heat. Never let material to be heated come into contact with the face of the heater. It is recommended that the OD of tubes, pipes, or circular items to be used with the circular heaters be kept a minimum of 1/2" under the nominal inside "C" dimension.

To Order

		Dimensions in cm (")				Without Vestibules	With Vestibules
Watts	Volts	A*	B	C	D	Model No.	Model No.
220	60	15 (6)	8 (3)	2 (0.75)	0.6 (0.25)	CRFC-756/60-A	CRFC-756/60-C-A
440	120	30 (12)	8 (3)	2 (0.75)	0.6 (0.25)	CRFC-7512/120-A	CRFC-7512/120-C-A
250	60	15 (6)	8 (3)	3 (1)	1 (0.5)	CRFC-16/60-A	CRFC-16/60-C-A
500	120	30 (12)	8 (3)	3 (1)	1 (0.5)	CRFC-112/120-A	CRFC-112/120-C-A
300	60	15 (6)	8 (3)	3 (1.25)	2 (0.75)	CRFC-1256/60-A	CRFC-1256/60-C-A
600	120	30 (12)	8 (3)	3 (1.25)	2 (0.75)	CRFC-12512/120-A	CRFC-12512/120-C-A
350	60	15 (6)	9 (3.5)	4 (1.5)	3 (1)	CRFC-156/60-A	CRFC-156/60-C-A
650	120	30 (12)	9 (3.5)	4 (1.5)	3 (1)	CRFC-1512/120-A	CRFC-1512/120-C-A
435	120	15 (6)	10 (4)	5 (2)	4 (1.5)	CRFC-26/120-A	CRFC-26/120-C-A
870	120	30 (12)	10 (4)	5 (2)	4 (1.5)	CRFC-212/120-A	CRFC-212/120-C-A
700	115	15 (6)	13 (5)	8 (3)	5 (2)	CRFC-36/115-A	CRFC-36/115-C-A
1400	240	30 (12)	13 (5)	8 (3)	5 (2)	CRFC-312/240-A	CRFC-312/240-C-A
2100	240	46 (18)	13 (5)	8 (3)	5 (2)	CRFC-318/240-A	CRFC-318/240-C-A
900	240	15 (6)	18 (7)	10 (4)	6 (2.5)	CRFC-46/240-A	CRFC-46/240-C-A
1800	240	30 (12)	18 (7)	10 (4)	6 (2.5)	CRFC-412/240-A	CRFC-412/240-C-A
2700	240	46 (18)	18 (7)	10 (4)	6 (2.5)	CRFC-418/240-A	CRFC-418/240-C-A
1130	240	15 (6)	23 (9)	13 (5)	9 (3.5)	CRFC-56/240-A	CRFC-56/240-C-A
2260	240	30 (12)	23 (9)	13 (5)	9 (3.5)	CRFC-512/240-A	CRFC-512/240-C-A
3390	240**	46 (18)	23 (9)	13 (5)	9 (3.5)	CRFC-518/240-A	CRFC-518/240-C-A
4520	240**	61 (24)	23 (9)	13 (5)	9 (3.5)	CRFC-524/240-A	CRFC-524/240-C-A
1350	240	15 (6)	25 (10)	15 (6)	11 (4.5)	CRFC-66/240-A	CRFC-66/240-C-A
2700	240**	30 (12)	25 (10)	15 (6)	11 (4.5)	CRFC-612/240-A	CRFC-612/240-C-A
4000	240**	46 (18)	25 (10)	15 (6)	11 (4.5)	CRFC-618/240-A	CRFC-618/240-C-A

* Add 3" for units with vestibules. ** Dual 240 Vac circuits.

Ordering Example: CRFC-156/60-A, 350 watt heater with 4 cm (1.5") ID, 15 cm (6") long without vestibules.

omega.co.uk[®]

Your One-Stop Source for Process Measurement and Control!

Freephone 0800 488 488 | International +44(0) 161 777 6622 | Fax +44(0) 161 777 6622 | Sales@omega.co.uk

www.omega.co.uk



UNITED STATES

www.omega.com

1-800-TC-OMEGA
Stamford, CT.

UNITED KINGDOM

www.omega.co.uk

Manchester, England
0800-488-488
+44-(0)161-777-6611

CANADA

www.omega.ca

Laval(Quebec)
1-800-TC-OMEGA

FRANCE

www.omega.fr

0800-466-342

GERMANY

www.omega.de

Deckenfronn, Germany
0800-8266342

BENELUX

www.omega.nl

0800-099-33-44



More than 100,000 Products Available!

• Temperature

Calibrators, Connectors, General Test and Measurement Instruments, Handheld Instruments for Temperature Measurement, Ice Point References, Indicating Labels, Crayons, Cements and Lacquers, Infrared Temperature Measurement Instruments, Recorders, Relative Humidity Measurement Instruments, PT100 Probes, PT100 Elements, Temperature & Process Meters, Timers and Counters, Temperature and Process Controllers and Power Switching Devices, Thermistor Elements, Probes and Assemblies, Thermocouples, Thermowells and Head and Well Assemblies, Transmitters, Thermocouple Wire, RTD Probes

• Flow and Level

Air Velocity Indicators, Doppler Flowmeters, Level Measurement, Magnetic Flowmeters, Mass Flowmeters, Pitot Tubes, Pumps, Rotameters, Turbine and Paddle Wheel Flowmeters, Ultrasonic Flowmeters, Valves, Variable Area Flowmeters, Vortex Shedding Flowmeters

• pH and Conductivity

Conductivity Instrumentation, Dissolved Oxygen Instrumentation, Environmental Instrumentation, pH Electrodes and Instruments, Water and Soil Analysis Instrumentation

• Data Acquisition

Communication Products and Converters, Data Acquisition and Analysis Software, Data Loggers Plug-in Cards, Signal Conditioners, USB, RS232, RS485, Ethernet and Parallel Port Data Acquisition Systems, Wireless Transmitters and Receivers

• Pressure, Strain and Force

Displacement Transducers, Dynamic Measurement Force Sensors, Instrumentation for Pressure and Strain Measurements, Load Cells, Pressure Gauges, Pressure Reference Section, Pressure Switches, Pressure Transducers, Proximity Transducers, Regulators, Pressure Transmitters, Strain Gauges, Torque Transducers, Valves

• Heaters

Band Heaters, Cartridge Heaters, Circulation Heaters, Comfort Heaters, Controllers, Meters and Switching Devices, Flexible Heaters, General Test and Measurement Instruments, Heater Hook-up Wire, Heating Cable Systems, Immersion Heaters, Process Air and Duct, Heaters, Radiant Heaters, Strip Heaters, Tubular Heaters