



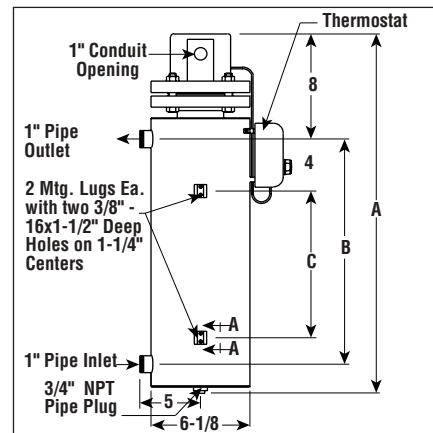
LIGHT & MEDIUM WEIGHT OIL APPLICATIONS

NWHO & NWHOB Series

- ✓ 3 - 10" ANSI Blind Flange Design
- ✓ 3 - 10" Carbon Steel Pipe Body, 150 Lb Construction
- ✓ 3 - 120 kW
- ✓ 240 and 480V, 1 & 3 Phase
- ✓ General Purpose, Moisture Resistant/Explosion Resistant, Explosion Resistant or Moisture Resistant Terminal Enclosure
- ✓ 0.475" Dia. Steel Sheath Elements (20 - 23 W/in²)
- ✓ With & Without Side Mounted AR Thermostat (200 - 550°F)
- ✓ UL, CSA and Other Third Party Approval, Listing or Certification Available



Dimensions (Inches)
NWHO-03



Note — Add 2" to A dimension for E2 enclosure.

Wiring:

Convenient field wiring terminals are provided for easy installation.

Controls: Series 3 and 6 stock and assembly stock heaters come equipped with side mounted thermostat. Series 18 and 27 are furnished without thermostat.

WARNING: Hazard of Fire. These devices function as temperature controls only. Because they do not fail-safe, an approved temperature and/or pressure safety control must be used for safe operation. Consult Controls section of this catalog.

APPLICATIONS

Light and Medium Weight Oil: Temperature maintenance and heating of heat transfer oils. Improve flow ability of medium weight oils.

FEATURES

Terminal Enclosure:

E1 General Purpose is standard. E2 Moisture Resistant/Explosion Resistant, E3 Explosion Resistant or E4 Moisture Resistant Enclosures available.

Elements: 0.475" diameter steel sheath elements.

Flange:

3 - 10" ANSI B-16.5 Blind flange with 1/2" thermowell for thermostat bulb and a 1/8" NPT threaded opening for a thermocouple or RTD.

Vessel: Pipe body and nozzles are ASTM A53B carbon steel pipe. The end disk is ASTM A516 Grade 70 carbon steel plate. Provided with thermal insulation and painted sheet metal jacket.

To Order (Specify Model Number)

**MOST POPULAR
ITEMS HIGHLIGHTED**

kW	Volts	Ckt & Phase	Dimensions (In.)			Model No.	Price	Wt. (Lbs.)
			A	B	C			
Series 3 — 3 inch, 150 lb carbon steel vessel — 3 steel elements (23 W/in²) with side mounted thermostat — 1" NPT pipe inlet and outlet								
3	240	1-1	32 ¹⁵ / ₁₆	22 ¹ / ₂	16 ¹ / ₂	NWHO-03-003P-E1/240	\$1118	70
3	240	1-3	32 ¹⁵ / ₁₆	22 ¹ / ₂	16 ¹ / ₂	NWHO-03-003P-E1/240/3P	1118	70
3	480	1-1	32 ¹⁵ / ₁₆	22 ¹ / ₂	16 ¹ / ₂	NWHO-03-003P-E1/480	1118	70
3	480	1-3	32 ¹⁵ / ₁₆	22 ¹ / ₂	16 ¹ / ₂	NWHO-03-003P-E1/480/3P	1118	70
4.5	240	1-1	32 ¹⁵ / ₁₆	22 ¹ / ₂	16 ¹ / ₂	NWHO-03-04P5-E1/240	1269	70
4.5	240	1-3	32 ¹⁵ / ₁₆	22 ¹ / ₂	16 ¹ / ₂	NWHO-03-04P5-E1/240/3P	1269	70
4.5	480	1-1	32 ¹⁵ / ₁₆	22 ¹ / ₂	16 ¹ / ₂	NWHO-03-04P5-E1/480	1269	70
4.5	480	1-3	32 ¹⁵ / ₁₆	22 ¹ / ₂	16 ¹ / ₂	NWHO-03-04P5-E1/480/3P	1269	70
6	240	1-1	42 ¹⁵ / ₁₆	32 ¹ / ₂	26 ¹ / ₂	NWHO-03-006P-E1/240	1373	80
6	240	1-3	42 ¹⁵ / ₁₆	32 ¹ / ₂	26 ¹ / ₂	NWHO-03-006P-E1/240/3P	1373	80
6	480	1-1	42 ¹⁵ / ₁₆	32 ¹ / ₂	26 ¹ / ₂	NWHO-03-006P-E1/480	1373	80
6	480	1-3	42 ¹⁵ / ₁₆	32 ¹ / ₂	26 ¹ / ₂	NWHO-03-006P-E1/480/3P	1373	80
7.5	480	1-1	55 ⁷ / ₁₆	45	39	NWHO-03-07P5-E1/480	1481	94
7.5	480	1-3	55 ⁷ / ₁₆	45	39	NWHO-03-07P5-E1/480/3P	1481	94
9	240	1-1	55 ⁷ / ₁₆	45	39	NWHO-03-009P-E1/240	1661	94
9	240	1-3	55 ⁷ / ₁₆	45	39	NWHO-03-009P-E1/240/3P	1661	94
9	480	1-1	55 ⁷ / ₁₆	45	39	NWHO-03-009P-E1/480	1661	94
9	480	1-3	55 ⁷ / ₁₆	45	39	NWHO-03-009P-E1/480/3P	1661	94

Ordering Example: NWHO-03-04P5-E1/480/3P is a 4.5 kWt, 3 Phase 480 Volt Heater, \$1269.

LIGHT & MEDIUM WEIGHT OIL APPLICATIONS



NWHO & NWHOB Series

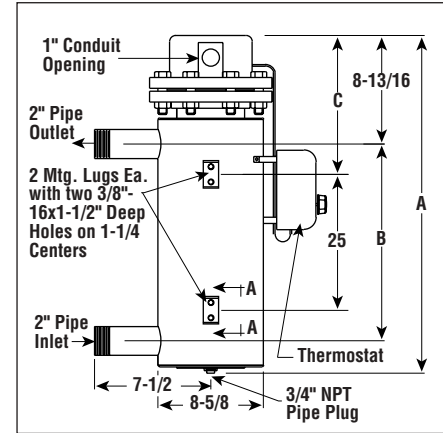
To Order (Specify Model Number)

**MOST POPULAR
ITEMS HIGHLIGHTED**

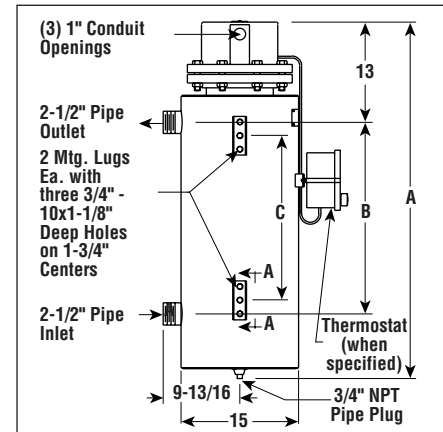
Dimensions (In.)						Model No.	Price	Wt. (Lbs.)
kW	Volts	Ckt & Phase	A	B	C			
Series 06 — 5 inch, 150 lb carbon steel vessel — 6 steel elements (23 W/in²) with side mounted thermostat — 2" NPT pipe inlet and outlet								
12	240	1-3	41%	30	11%	NWHO-06-012P-E1/240	\$2360	140
12	480	1-3	41%	30	11%	NWHO-06-012P-E1/480	2360	140
15	240	1-3	48%	37	14%	NWHO-06-015P-E1/240	2568	155
15	480	1-3	48%	37	14%	NWHO-06-015P-E1/480	2568	155
20	240	2-3	60%	48½	20%	NWHO-06-020P-E1/240/2C	2914	176
20	480	1-3	60%	48½	20%	NWHO-06-020P-E1/480	2914	176
25	480	2-3	73%	61%	27%	NWHO-06-025P-E1/480/2C	3278	212
25	480	1-3	73%	61%	27%	NWHO-06-025P-E1/480	3278	212
30	480	2-3	86%	74%	33%	NWHO-06-030P-E1/480/2C	3681	240
30	480	1-3	86%	74%	33%	NWHO-06-030P-E1/480	3681	240
Series 18 — 8 inch, 150 lb carbon steel vessel — 18 steel elements (20 W/in²) — 2-1/2" NPT - pipe inlet and outlet								
30	240	3-3	53%	32 ¹ / ₁₆	29%	NWHO-18-030P-E1/240	6353	360
30	480	3-3	53%	32 ¹ / ₁₆	29%	NWHO-18-030P-E1/480	6353	360
40	240	3-3	60%	39 ¹ / ₁₆	36%	NWHO-18-040P-E1/240	6686	436
40	480	3-3	60%	39 ¹ / ₁₆	36%	NWHO-18-040P-E1/480	6686	436
50	240	3-3	67%	47 ⁵ / ₁₆	43 ¹ / ₁₆	NWHO-18-050P-E1/240	7069	500
50	480	3-3	67%	47 ⁵ / ₁₆	43 ¹ / ₁₆	NWHO-18-050P-E1/480	7069	500
60	240	3-3	77%	56 ¹ / ₁₆	53%	NWHO-18-060P-E1/240	7795	600
60	480	3-3	77%	56 ¹ / ₁₆	53%	NWHO-18-060P-E1/480	7795	600
70	240	3-3	86%	65 ¹ / ₁₆	62%	NWHO-18-070P-E1/240	8522	660
70	480	3-3	86%	65 ¹ / ₁₆	62%	NWHO-18-070P-E1/480	8522	660
80	240	3-3	96%	75 ¹ / ₁₆	72%	NWHO-18-080P-E1/240	9035	750
80	480	3-3	96%	75 ¹ / ₁₆	72%	NWHO-18-080P-E1/480	9035	750
Series 27 — 10 inch, 150 lb carbon steel vessel — 27 steel elements (20 W/in²) — 3" NPT pipe inlet and outlet								
80	240	3-3	77%	52	48½	NWHO-27-080P-E1/240	8696	720
80	480	3-3	77%	52	48½	NWHO-27-080P-E1/480	8696	720
90	240	3-3	81%	56	52½	NWHO-27-090P-E1/240	8919	735
90	480	3-3	81%	56	52½	NWHO-27-090P-E1/480	8919	735
100	480	3-3	87%	62	58½	NWHO-27-100P-E1/480	9225	750
120	480	3-3	97%	72	68½	NWHO-27-120P-E1/480	9225	765

Ordering Example: NWHO-18-060P-E1/240 is a 60 kW, 240 Volt Heater, \$7795.
Note — Refer to the Controls section for side mounted controls or control panels.

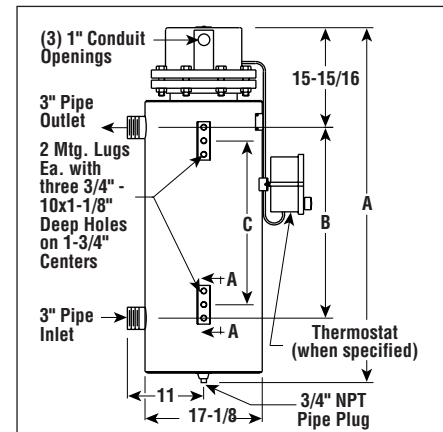
Dimensions (Inches)
NWHO-06



NWHO-18



NWHO-27





LIGHT & MEDIUM WEIGHT OIL APPLICATIONS

NWHO & NWHOB Series

**MOST POPULAR
ITEMS HIGHLIGHTED**

To Order (Specify Model Number)

kW	Volts	Ckt & Phase	Dimensions (In.)			Model No.	Price	Wt. (Lbs.)
			A	B	C			
Series 18 - 8 inch, 150 lb carbon steel vessel — 18 baffled steel elements (20 W/In²) — 2½" NPT pipe inlet and outlet								
30	240	3-3	53¼	32⅛	29⅜	NWHOB-18-030P-E1/240	\$6611	366
30	480	3-3	53¼	32⅛	29⅜	NWHOB-18-030P-E1/480	6611	368
40	240	3-3	60¼	39⅛	36⅜	NWHOB-18-040P-E1/240	6935	442
40	480	3-3	60¼	39⅛	36⅜	NWHOB-18-040P-E1/480	6935	442
50	240	3-3	67⅞	47⅞	43⅜	NWHOB-18-050P-E1/240	7405	506
50	480	3-3	67⅞	47⅞	43⅜	NWHOB-18-050P-E1/480	7405	506
60	240	3-3	77⅞	56⅞	53⅜	NWHOB-18-060P-E1/240	8179	606
60	480	3-3	77⅞	56⅞	53⅜	NWHOB-18-060P-E1/480	8179	606
70	240	3-3	86⅞	65⅞	62⅜	NWHOB-18-070P-E1/240	9224	666
70	480	3-3	86⅞	65⅞	62⅜	NWHOB-18-070P-E1/480	9224	666
80	240	3-3	96⅞	75⅞	72⅜	NWHOB-18-080P-E1/240	9509	756
80	480	3-3	96⅞	75⅞	72⅜	NWHOB-18-080P-E1/480	9509	756
Series 27 - 10 inch, 150 lb carbon steel vessel — 27 baffled steel elements (20 W/In²) — 3" NPT pipe inlet and outlet								
80	240	3-3	77⅞	52	48½	NWHOB-27-080P-E1/240	8930	726
80	480	3-3	77⅞	52	48½	NWHOB-27-080P-E1/480	8930	726
90	240	3-3	81⅞	56	52½	NWHOB-27-090P-E1/240	10,164	741
90	480	3-3	81⅞	56	52½	NWHOB-27-090P-E1/480	10,164	741
100	480	3-3	87⅞	62	58½	NWHOB-27-100P-E1/480	9461	756
120	480	3-3	97⅞	72	68½	NWHOB-27-120P-E1/480	10,111	771

Ordering Example: NWHOB-18-060P-E1/240 is a 60 kW, 240 Volt Heater, \$8179.

Note — Refer to the Controls section for side mounted controls or control panels.

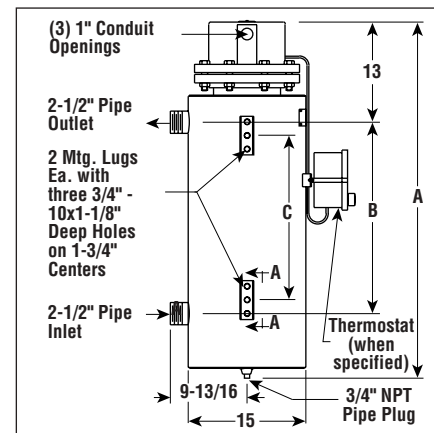
Ordering Information

To Order — Complete the Model Number using the Matrix provided.

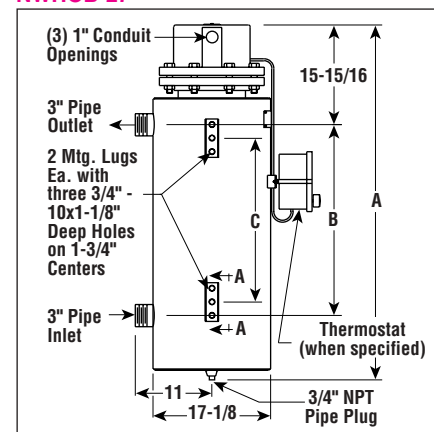
Model	Light and Medium Weight Oil		
NWHO B	Oil Circulation Heater		
	Internal Baffles		
	Code	Number of Elements	
	03	Three	
	06	Six	
	18	Eighteen	
	27	Twenty Seven	
	Code	kW	
	003P	3	015P 15
	04P5	4.5	020P 20
	006P	6	025P 25
	07P5	7.5	030P 30
	009P	9	040P 40
	012P	12	050P 50
		015P 15	060P 60
		020P 20	070P 70
		025P 25	080P 80
		030P 30	090P 90
		040P 40	100P 100
		050P 50	120P 120
	Code	Terminal Enclosure	
	E1	General Purpose	
	E2	Moisture Resistant/Explosion Resistant	
	E3	Explosion Resistant	
	E4	Moisture Resistant	
NWHOB 18	030P	E1	Typical Model Number

Dimensions (Inches)

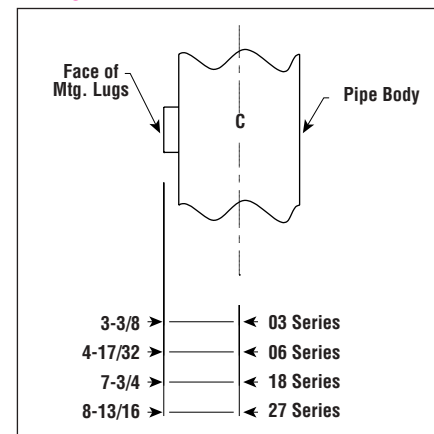
NWHOB-18



NWHOB-27



NWHOB-AA



omega.co.uk[®]

Your One-Stop Source for Process Measurement and Control!

Freephone 0800 488 488 | International +44(0) 161 777 6622 | Fax +44(0) 161 777 6622 | Sales@omega.co.uk

www.omega.co.uk



UNITED STATES

www.omega.com

1-800-TC-OMEGA
Stamford, CT.

CANADA

www.omega.ca

Laval(Quebec)
1-800-TC-OMEGA

GERMANY

www.omega.de

Deckenfronn, Germany
0800-8266342

UNITED KINGDOM

www.omega.co.uk

Manchester, England
0800-488-488
+44-(0)161-777-6611

FRANCE

www.omega.fr

0800-466-342

BENELUX

www.omega.nl

0800-099-33-44



More than 100,000 Products Available!

• Temperature

Calibrators, Connectors, General Test and Measurement Instruments, Handheld Instruments for Temperature Measurement, Ice Point References, Indicating Labels, Crayons, Cements and Lacquers, Infrared Temperature Measurement Instruments, Recorders, Relative Humidity Measurement Instruments, PT100 Probes, PT100 Elements, Temperature & Process Meters, Timers and Counters, Temperature and Process Controllers and Power Switching Devices, Thermistor Elements, Probes and Assemblies, Thermocouples, Thermowells and Head and Well Assemblies, Transmitters, Thermocouple Wire, RTD Probes

• Flow and Level

Air Velocity Indicators, Doppler Flowmeters, Level Measurement, Magnetic Flowmeters, Mass Flowmeters, Pitot Tubes, Pumps, Rotameters, Turbine and Paddle Wheel Flowmeters, Ultrasonic Flowmeters, Valves, Variable Area Flowmeters, Vortex Shedding Flowmeters

• pH and Conductivity

Conductivity Instrumentation, Dissolved Oxygen Instrumentation, Environmental Instrumentation, pH Electrodes and Instruments, Water and Soil Analysis Instrumentation

• Data Acquisition

Communication Products and Converters, Data Acquisition and Analysis Software, Data Loggers Plug-in Cards, Signal Conditioners, USB, RS232, RS485, Ethernet and Parallel Port Data Acquisition Systems, Wireless Transmitters and Receivers

• Pressure, Strain and Force

Displacement Transducers, Dynamic Measurement Force Sensors, Instrumentation for Pressure and Strain Measurements, Load Cells, Pressure Gauges, Pressure Reference Section, Pressure Switches, Pressure Transducers, Proximity Transducers, Regulators, Pressure Transmitters, Strain Gauges, Torque Transducers, Valves

• Heaters

Band Heaters, Cartridge Heaters, Circulation Heaters, Comfort Heaters, Controllers, Meters and Switching Devices, Flexible Heaters, General Test and Measurement Instruments, Heater Hook-up Wire, Heating Cable Systems, Immersion Heaters, Process Air and Duct, Heaters, Radiant Heaters, Strip Heaters, Tubular Heaters