

Strain, Process, and Temperature Meters With Optional Relays and Analogue Output

DP25B
Starts at
£164



Inputs

- ✓ Thermocouple
- ✓ RTD
- ✓ Process (DC Voltage and Current)
- ✓ Strain Gauge/Bridge

Options

- ✓ Relay Output with Adjustable Deadband
- ✓ Isolated or Non-Isolated Analogue Output
- ✓ Totally Programmable Colour Display
- ✓ Low-Voltage Power Options
- ✓ IP65 Front Panel

Panel Meters

The OMEGA® DP25B Series features the biggest, brightest display of any 1/8 DIN panel meter. The user can select the display colour: **RED, AMBER,** or **GREEN.**

Unparalleled accuracy in signal conditioning is available in this economical series of panel meters/controllers. The series has a 4-digit, 9-segment display plus optional dual 5 A, SPDT relays (Form "C") and a choice of isolated or non-isolated analogue output. The scalable 0 to 10 Vdc, 0 to 20 mA, or 4 to 20 mA analogue output can be used for retransmission of the display value or as a proportional control output, as required. The microprocessor-based DP25B series includes instruments for process (DC voltage and current) strain gauge, thermocouple, and RTD.

Common Specifications

Display: 4-digit, 9-segment, 21 mm (0.83") red, amber or green LED (programmable)

Analogue-to-Digital Technique: Dual slope

Internal Resolution: 15 bit

Read Rate: 3/second

Step Response: 2 seconds

Relay Outputs (optional): 2 Form "C" (SPDT) relays rated 5 A 250 Vac, programmable for active high/low alarms with latching/non-latching relays

Analogue Output (Optional): 0 to 10 V, 4 to 20 mA or 0 to 20 mA; can be assigned to a display range (scalable) or proportional control output with setpoint #1 when used as a control output

Power: 115 Vac or 230 Vac $\pm 10\%$, 10 to 32 Vdc, 26 to 56 Vdc; 8 W max (DP25B-TC or -RTD), 11 W max (DP25B-E or -S); 240 V RMS overvoltage protection

Isolation: Dielectric strength to 2500 V transient per 3 mm spacing based on EN 61010 for 260 Vrms or Vdc



DP25B, £164, shown close to actual size.

PATENTED

Covered by U.S. and International patents and pending applications

Thermocouple and RTD Models

The DP25B Series for thermocouple and RTD inputs is a versatile panel meter and limit alarm-in-one that is easily programmable. The DP25B-TC is selectable for J, K, T, or J DIN thermocouples. The DP25B-RTD accepts 100 Ω PT (0.00385 curve) RTD's.

DP25B-TC (Thermocouple)

Input Type	Range	Accuracy
J	-210 to 760°C (-346 to 1400°F)	0.5°C (0.9°F)
K	-270 to 1372°C (-454 to 2500°F)	
T	-210 to 400°C (-346 to 752°F)	
J DIN	-200 to 900°C (-328 to 1652°F)	

NMR: 60 dB

CMR: 120 dB

Operating Temperature: 0 to 50°C (32 to 122°F)

Storage Temperature: -40 to 85°C (-40 to 185°F)

Relative Humidity: 90% @ 40°C (104°F) non-condensing

Dimensions: 48 H x 96 W x 152 mm D (1.89 x 3.78 x 6.0")

Panel Cutout: 45 x 92 mm (1.772 x 3.622")

Weight: 575 g (1.27 lb)

Thermocouple Meter Specifications

Input: Thermocouple Types J, K, T and J DIN

Relay Hysteresis:

Programmable from 0 to 9999

Accuracy: $\pm 0.50^\circ\text{C}$ (0.9°F) after 30 min warm-up

Temperature Coefficient: ± 50 PPM/°C

Input Resistance: 100 M Ω



Process and Strain Models

The DP25B-E process and strain meters accept a wide range of DC voltage and current inputs to cover any typical process application. They feature easy, front-panel scaling to virtually any engineering units, selectable excitation of 4 voltages to work with most transducers and transmitters, front panel and remote tare function for weighing applications, and a hardware lockout to prevent unauthorised changes in set-up.



DP25B-TC, £164, programmed for green display, shown larger than actual size.

DP25B-RTD (RTD)

Input Type	Range	Accuracy
RTD, 100 Ω Pt, 2, 3, 4-wire	-200 to 850°C (-328 to 1562°F)	0.5°C (0.9°F)

Specifications (RTD Temperature Meter)

Input: RTD 100Ω Pt (0.00385 curves)
2-, 3- and 4-wire selectable

Accuracy: ±0.50°C (0.9°F) after 30 min warm-up

Temperature Coefficient: ±50 PPM/°C

Input Resistance: 100 MΩ

DP25B-E (Process) / DP25B-S (Strain)

Input Type	Range	Accuracy
mV, V, mA	0 to 100 mV, ±50 mV, 0 to 10 V±5 V, 0 to 20 mA, 4 to 20 mA	0.02% R _{dg}

Specifications (Process and Strain Meters)

Input Ranges: 0 to 100 mV, ±50 mV, 0 to 10 V, ±5 V,
0 to 20 mA, 4 to 20 mA

Protection: 240 V rms max for voltage input ranges;
200 mA for current ranges

Input Impedance: 100 MΩ for 100 mV or
±50 mV range; 1 MΩ for 10 V or ±5 V range;
5 Ω for 20 mA current input

Internal Resolution: 15 bit

Polarity: Automatic

Max Error Strain/Process: ±0.03% rdg

Span Temperature Coefficient: ±50 ppm/°C

Warm-Up to Rated Accuracy: 30 min

Excitation Voltage: 24 V @ 25 mA or 12 V @ 50 mA;
10 V @ 120 mA or 5 V @ 60 mA



Select Your Colour!

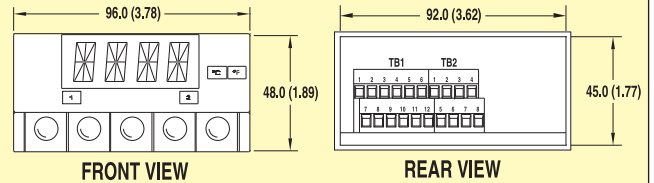
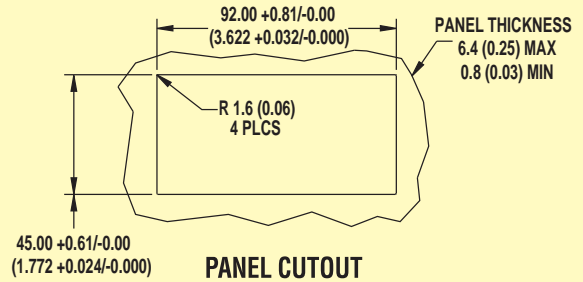
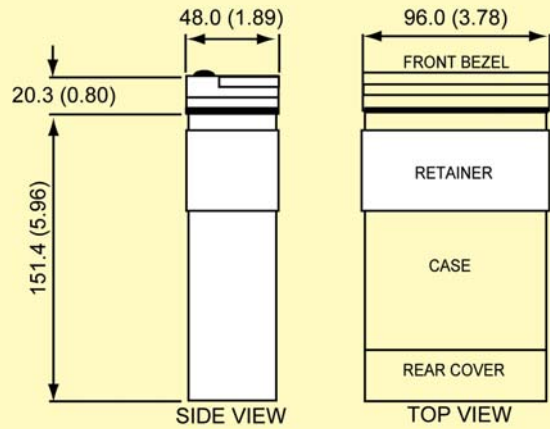
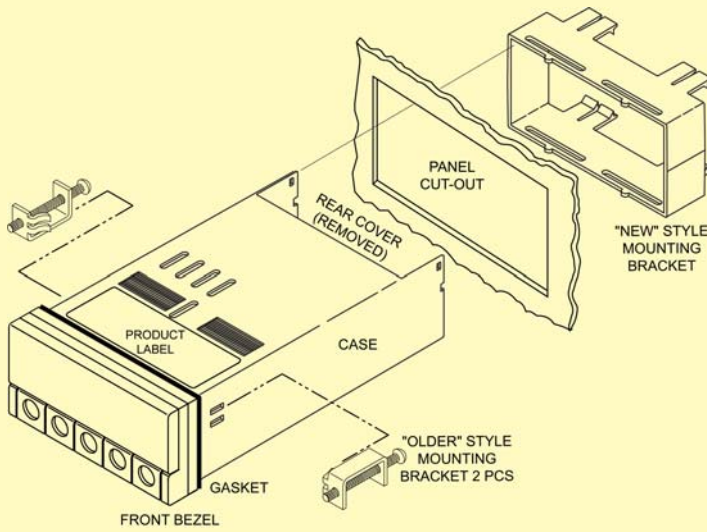
Program to display in **RED**,
AMBER, or **GREEN**.

Totally Programmable Colour Displays

The OMEGA® DP25B Series meters and controllers have totally programmable colour displays—for **RED**, **AMBER**, or **GREEN**.



Dimensions: mm (in)



Please visit omega.co.uk and search panel punches

MOST POPULAR MODELS HIGHLIGHTED!

CUSTOM CONFIGURATIONS

Custom firmware and hardware available in quantity

CUSTOM COLOURS



Custom colour bezels and enclosures are available for original equipment manufacturers.

Enhance the appearance of your equipment design with custom colours.

Consult OMEGA® Sales at +44 161 777 6611 or sales@omega.co.uk

To Order (Specify Model Number)

Model No.	Price	Description
DP25B-TC	£164	Thermocouple
DP25B-RTD	164	RTD
DP25B-E	164	Process (DC voltage and current)
DP25B-S	164	Strain input

Power Options*

Order Suffix	Add'l Price	Power
-GN	N/C	Green LED display
-230	N/C	230 Vac
-DC10/32	£64	10 to 32 Vdc
-DC26/56	80	26 to 56 Vdc

Output Options*

Order Suffix	Add'l Price	Power
-A	£54	Analogue output
-AI-R	107	Isolated analogue output
-R	47	Dual 5 A relays
-AR	101	Analogue and relay options

Accessory

Model No.	Price	Description
EE-2683	£28	Ref. Book: Micro Controller-Based Temperature Monitoring and Control

* Not field installable. For "-AI" option, the "-R" option is required. Comes with complete operator's manual.

Ordering Examples: DP25B-TC-DC10/32-AR, thermocouple indicator for J, K, T or J DIN input, low-voltage power, analogue output and dual 5 A relays, £164 + 64 + 54 + 47 = £329.
DP25B-E, process meter, £164.



UNITED STATES

www.omega.com

1-800-TC-OMEGA

Stamford, CT.

CANADA

www.omega.ca

Laval(Quebec)

1-800-TC-OMEGA

GERMANY

www.omega.de

Deckenpfronn, Germany

0800-8266342

UNITED KINGDOM

www.omega.co.uk

Manchester, England

0800-488-488

FRANCE

www.omega.fr

088-466-342

CZECH REPUBLIC

www.omegaeng.cz

Karviná, Czech Republic

596-311-899

BENELUX

www.omega.nl

0800-099-33-44



More than 100,000 Products Available!

• Temperature

Calibrators, Connectors, General Test and Measurement Instruments, Handheld Instruments for Temperature Measurement, Ice Point References, Indicating Labels, Crayons, Cements and Lacquers, Infrared Temperature Measurement Instruments, Recorders, Relative Humidity Measurement Instruments, PT100 Probes, PT100 Elements, Temperature & Process Meters, Timers and Counters, Temperature and Process Controllers and Power Switching Devices, Thermistor Elements, Probes and Assemblies, Thermocouples, Thermowells and Head and Well Assemblies, Transmitters, Thermocouple Wire, RTD Probes

• Flow and Level

Air Velocity Indicators, Doppler Flowmeters, Level Measurement, Magnetic Flowmeters, Mass Flowmeters, Pitot Tubes, Pumps, Rotameters, Turbine and Paddle Wheel Flowmeters, Ultrasonic Flowmeters, Valves, Variable Area Flowmeters, Vortex Shedding Flowmeters

• pH and Conductivity

Conductivity Instrumentation, Dissolved Oxygen Instrumentation, Environmental Instrumentation, pH Electrodes and Instruments, Water and Soil Analysis Instrumentation

• Data Acquisition

Auto-Dialers and Alarm Monitoring Systems, Communication Products and Converters, Data Acquisition and Analysis Software, Data Loggers Plug-in Cards, Signal Conditioners, USB, RS232, RS485 and Parallel Port Data Acquisition Systems, Wireless Transmitters and Receivers

• Pressure, Strain and Force

Displacement Transducers, Dynamic Measurement Force Sensors, Instrumentation for Pressure and Strain Measurements, Load Cells, Pressure Gauges, Pressure Reference Section, Pressure Switches, Pressure Transducers, Proximity Transducers, Regulators, Pressure Transmitters, Strain Gauges, Torque Transducers, Valves

• Heaters

Band Heaters, Cartridge Heaters, Circulation Heaters, Comfort Heaters, Controllers, Meters and Switching Devices, Flexible Heaters, General Test and Measurement Instruments, Heater Hook-up Wire, Heating Cable Systems, Immersion Heaters, Process Air and Duct, Heaters, Radiant Heaters, Strip Heaters, Tubular Heaters