

INDUSTRIAL DIGITAL PRESSURE GAUGES

DC-, LOOP-, OR BATTERY-POWERED MODELS



All Models Meet ASME B 40.1
Grade 3A ($\pm 0.25\%$ of Span)
Accuracy

DPG9030
Starts at
\$415



- ✓ A Multifunction Digital Gauge with Optional 4 to 20 mA Output and 1 or 2 SPDT Switches
- ✓ $\pm 0.25\%$ of Span Terminal Point Accuracy (0.13% BFSL)
- ✓ NEMA 4 (IP65) Weatherproof Case
- ✓ 3" Stainless Steel Case or 4½" Fiberglass-Reinforced Thermoplastic Case
- ✓ Extra Large Display with Bar Graph (0.6" on 3" Case, 0.88" on 4½" Case)
- ✓ Min/Max Readings
- ✓ Easy-to-Use Menu Options (All Password Protected):
 - 5 Backlite Display Options
 - 12 Engineering Units
 - Menu-Configure Feature
 - Update Rate
 - Dampen Rate
 - Auto-Off
- ✓ 10 User-Selectable Engineering Units
- ✓ Backlighting Standard



DPG9145-300, 4½" gauge, \$565, shown slightly smaller than actual size.

BACKLITE DISPLAY STANDARD!



DPG9030-300, 3" gauge, \$415, shown slightly smaller than actual size.

SPECIFICATIONS

Accuracy: $\pm 0.25\%$ of span, terminal point (0.13% BFSL)
Case Size: 76 mm (3"), 114 mm (4.5")
Case Material: 3" stainless steel, 4.5" fiberglass-reinforced thermoplastic
Case Encl. Rating: Weatherproof, NEMA 4 (IP65)
Wetted Materials: 17-4 SS (sensor) 316 SS (socket)
Socket Size: Standard ¼ NPT
Custom: ½ NPT, JIS, DIN, SAE, (¼ NPT only with 4.5" case, others on application). Consult Engineering to order custom socket.
Socket Connection: Lower (standard); 3, 9 and 12 o'clock optional

6 models to fit all your application needs!

	4½" Case	3" Case
Power		
Battery	DPG9045	DPG9030
Loop	DPG9145	DPG9130
DC	DPG9245	DPG9230

PRESSURE SWITCHES **H**



INDUSTRIAL DIGITAL PRESSURE GAUGES DC-, LOOP-, OR BATTERY-POWERED MODELS

Operating Temp: 10 to 60°C
(14 to 140°F)

Temp Error: (Zero and span) 0.08%/°C
(0.04%/°F) (<0.04%°C typical)

Storage Temp: -20 to 70°C
(-4 to 158°F)

Display: 5-digit LCD

Character Height:

3" Case: 15 mm (0.60")

4.5" Case: 22 mm (0.88")

Backlite: Standard

Bar Graph: Standard

Battery Life: 3" >1000 hr,
4.5" > 3600 hr

Agency Approval: CE

Keypad Functions:

On/Off: Manually turns unit on
and off (auto-off options in menu)

Zero/Clear: Zeros display
or clears min and max
values when displayed

Min/Max (Down) Arrow Key:
Stores min and max values,
arrow key allows for scrolling
menu items

Menu Key: Provides access to
menu options

Backlite (Up) Arrow Key

(Backlite Optional):
Manually turns backlite on and off
(auto-off options in menu); arrow
key allows for 5 menu options.

(Up) arrow key allows for
scrolling menu options.

Enter: Selects items in the menu

Menu Mode:

Engineering Units: 10 units of
measurement are available: psi,
inH₂O (with 3 temp options:
20°C, 60°F, 4°C), ftH₂O, mPa,
mbar, kPa, kg/cm², bar, inHg
and mmHg

Configuration Mode: (Config)
Allows for changes to default
settings of gauge, including zero
disable feature

Bar Graph: (Graph) Allows for
adjustment of bar graph and
4 to 20 mA (optional feature)

Auto Off (5 Options): (Off)
allows for changes to auto-off of
gauge: never, 2 min, 5 min,
15 min, 30 min

Update Rate (4 Options):
(Update) 100 ms, 200 ms,
500 ms, 1 s

Dampening (6 Options):
(Damp) None, average,
2, 4, 6, 8 times per 100 ms

Backlite (5 Options):
Never, 10 s, 30 s, 1 min,
5 min

Field Recalibration: Allows for
recalibration of zero, midscale
and span (password protected)

Power Options:

DC Power: 12 to 36 Vdc,
2 VA max

Loop Power: 12 to 36 Vdc

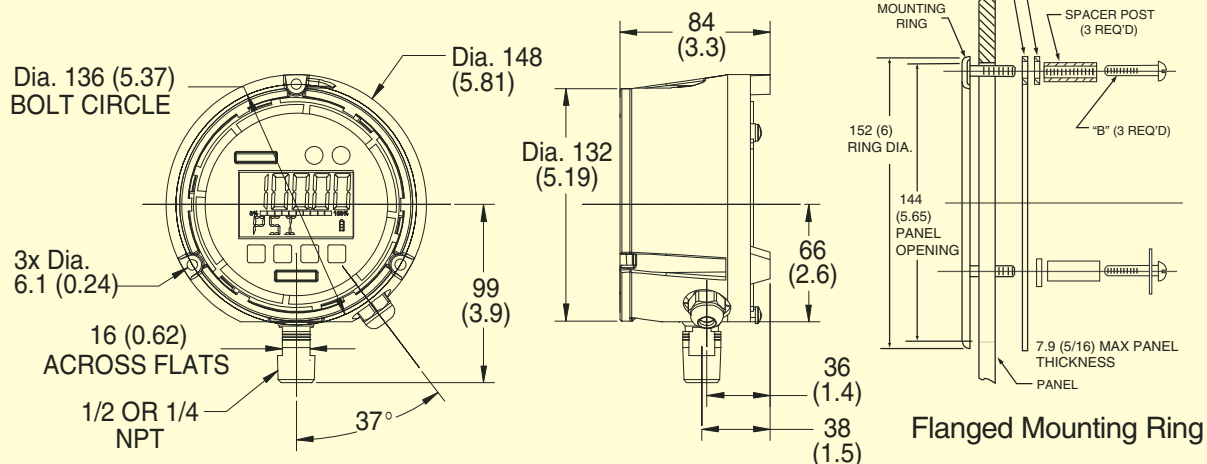


DPG9145-300, 4½" gauge, \$565,
shown smaller than actual size.

INDUSTRIAL DIGITAL GAUGE DIMENSION DRAWINGS

DPG9045 (battery), DPG9145 (loop), DPG9245 (DC), 4½" fiberglass-reinforced thermoplastic case

Dimensions: mm (in)





INDUSTRIAL DIGITAL PRESSURE GAUGES DC-, LOOP-, OR BATTERY-POWERED MODELS

MOST POPULAR MODELS HIGHLIGHTED!

PRESSURE SWITCHES **H**

To Order (Specify Model Number)						
3" CASE	PRICE	4½" CASE	PRICE	RANGE		CONNECTION
				psig	bar	
BATTERY POWERED—BACKLITE DISPLAY						
DPG9030-VAC	\$415	DPG9045-VAC	\$505	0 to -14.7	0 to -1	¼ NPT lower
DPG9030-VAC/15	415	DPG9045-VAC/15	505	-14.7 to 15	-1 to 1	¼ NPT lower
DPG9030-VAC/30	415	DPG9045-VAC/30	505	-14.7 to 30	-1 to 2	¼ NPT lower
DPG9030-15	415	DPG9045-15	505	0 to 15	0 to 1	¼ NPT lower
DPG9030-30	415	DPG9045-30	505	0 to 30	0 to 2	¼ NPT lower
DPG9030-60	415	DPG9045-60	505	0 to 60	0 to 4	¼ NPT lower
DPG9030-100	415	DPG9045-100	505	0 to 100	0 to 7	¼ NPT lower
DPG9030-200	415	DPG9045-200	505	0 to 200	0 to 13	¼ NPT lower
DPG9030-300	415	DPG9045-300	505	0 to 300	0 to 20	¼ NPT lower
DPG9030-600	415	DPG9045-600	505	0 to 600	0 to 41	¼ NPT lower
DPG9030-1K	415	DPG9045-1K	505	0 to 1000	0 to 69	¼ NPT lower
DPG9030-2K	415	DPG9045-2K	505	0 to 2000	0 to 138	¼ NPT lower
DPG9030-3K	415	DPG9045-3K	505	0 to 3000	0 to 207	¼ NPT lower
DPG9030-5K	415	DPG9045-5K	505	0 to 5000	0 to 345	¼ NPT lower
DPG9030-10K	415	DPG9045-10K	505	0 to 10,000	0 to 690	¼ NPT lower
LOOP POWERED—BACKLITE DISPLAY						
DPG9130-VAC	\$470	DPG9145-VAC	\$565	0 to -14.7	0 to -1	¼ NPT lower
DPG9130-VAC/15	470	DPG9145-VAC/15	565	-14.7 to 15	-1 to 1	¼ NPT lower
DPG9130-VAC/30	470	DPG9145-VAC/30	565	-14.7 to 30	-1 to 2	¼ NPT lower
DPG9130-15	470	DPG9145-15	565	0 to 15	0 to 1	¼ NPT lower
DPG9130-30	470	DPG9145-30	565	0 to 30	0 to 2	¼ NPT lower
DPG9130-60	470	DPG9145-60	565	0 to 60	0 to 4	¼ NPT lower
DPG9130-100	470	DPG9145-100	565	0 to 100	0 to 7	¼ NPT lower
DPG9130-200	470	DPG9145-200	565	0 to 200	0 to 13	¼ NPT lower
DPG9130-300	470	DPG9145-300	565	0 to 300	0 to 20	¼ NPT lower
DPG9130-600	470	DPG9145-600	565	0 to 600	0 to 41	¼ NPT lower
DPG9130-1K	470	DPG9145-1K	565	0 to 1000	0 to 69	¼ NPT lower
DPG9130-2K	470	DPG9145-2K	565	0 to 2000	0 to 138	¼ NPT lower
DPG9130-3K	470	DPG9145-3K	565	0 to 3000	0 to 207	¼ NPT lower
DPG9130-5K	470	DPG9145-5K	565	0 to 5000	0 to 345	¼ NPT lower
DPG9130-10K	470	DPG9145-10K	565	0 to 10,000	0 to 690	¼ NPT lower
DC POWERED—BACKLITE DISPLAY						
DPG9230-VAC	\$470	DPG9245-VAC	\$565	0 to -14.7	0 to -1	¼ NPT lower
DPG9230-VAC/15	470	DPG9245-VAC/15	565	-14.7 to 15	-1 to 1	¼ NPT lower
DPG9230-VAC/30	470	DPG9245-VAC/30	565	-14.7 to 30	-1 to 2	¼ NPT lower
DPG9230-15	470	DPG9245-15	565	0 to 15	0 to 1	¼ NPT lower
DPG9230-30	470	DPG9245-30	565	0 to 30	0 to 2	¼ NPT lower
DPG9230-60	470	DPG9245-60	565	0 to 60	0 to 4	¼ NPT lower
DPG9230-100	470	DPG9245-100	565	0 to 100	0 to 7	¼ NPT lower
DPG9230-200	470	DPG9245-200	565	0 to 200	0 to 13	¼ NPT lower
DPG9230-300	470	DPG9245-300	565	0 to 300	0 to 20	¼ NPT lower
DPG9230-600	470	DPG9245-600	565	0 to 600	0 to 41	¼ NPT lower
DPG9230-1K	470	DPG9245-1K	565	0 to 1000	0 to 69	¼ NPT lower
DPG9230-2K	470	DPG9245-2K	565	0 to 2000	0 to 138	¼ NPT lower
DPG9230-3K	470	DPG9245-3K	565	0 to 3000	0 to 207	¼ NPT lower
DPG9230-5K	470	DPG9245-5K	565	0 to 5000	0 to 345	¼ NPT lower
DPG9230-10K	470	DPG9245-10K	565	0 to 10,000	0 to 690	¼ NPT lower

Comes with complete operator's manual.

Ordering Examples: DPG9045-VAC/15, battery-powered unit with backlite display, compound range of vacuum to 15 psi gauge and 4½" diameter case, \$505 DPG9230-100-S1, DC-powered unit with backlite display, 0 to 100 psi gauge pressure range and 3" diameter case plus one SPDT 10 to 36 Vdc switch, \$470 + 75 = \$545.



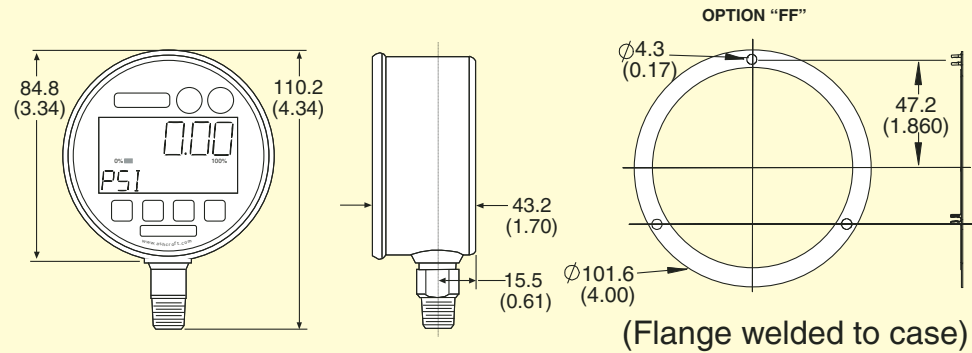
INDUSTRIAL DIGITAL PRESSURE GAUGES DC-, LOOP-, OR BATTERY-POWERED MODELS



INDUSTRIAL DIGITAL GAUGE DIMENSION DRAWINGS

Dimensions: mm (in)

DPG9030 (battery), DPG9130 (loop), DPG9230 (DC), 3" stainless steel case



User-Selectable Units*

psi	inHg (vacuum)	Comp. (psi)	mmHg (pressure)	inHg (pressure)	inH ₂ O	mbar	ftH ₂ O	mPa	kPa	bar/ KSC
15	30	vac/15	800	30	400	1000	60	1.0	100	1.0
30		vac/30	1000	60	800	1500	160	1.6	160	1.6
60		vac/60	2000	100	1000	2000	200	2.5	250	2.5
100		vac/100	3000	160		2500	300	4	400	4
160			5000	200		4000	400	6	600	6
200			10,000	300		5000	600	10	1000	10
300				400		6000	1000	16	1600	16
600				600		10,000		25	2500	25
800				800		15,000		40	4000	40
1000						20,000		60	6000	60
1500								100	10,000	100
2000								140	16,000	160
3000									25,000	250
5000									40,000	400
8000									60,000	600
10,000									100,000	1000
15,000										
20,000										

OPTIONS	PRICE 3" CASE	PRICE 4" CASE	DESCRIPTION
-A	\$70	\$70	4 to 20 mA output (DPG92xx only)
-S1	75	75	1 SPDT switch (12 to 36 Vdc) (DPG92xx only)
-S2	115	115	2 SPDT switches (12 to 36 Vdc) (DPG92xx only)
-X6B	65	65	Cleaned for oxygen service
-RB	10	—	Protective rubber boot (black) (3" only)
-FC	10	—	Protective front cover (SS) (3" only)
-FF	25	—	Welded flush-mount flange
-FMR	—	50	Flush mounting ring

ACCESSORIES

MODEL NUMBER	PRICE	DESCRIPTION
DPG7000-ABS-CASE	\$130	Weatherproof ABS carrying case (3" only)
CH-5607	90	Reference Book: Food Process Engineering

* Order psi range closest to the full scale range of the units you desire. The units selection is programmable via the front-panel buttons.



omega.co.uk[®]

Your One-Stop Source for Process Measurement and Control!

Freephone 0800 488 488 | International +44(0) 161 777 6622 | Fax +44(0) 161 777 6622 | Sales@omega.co.uk

www.omega.co.uk



UNITED STATES

www.omega.com

1-800-TC-OMEGA
Stamford, CT.

UNITED KINGDOM

www.omega.co.uk

Manchester, England
0800-488-488
+44-(0)161-777-6611

CANADA

www.omega.ca

Laval(Quebec)
1-800-TC-OMEGA

FRANCE

www.omega.fr

0800-466-342

GERMANY

www.omega.de

Deckenfronn, Germany
0800-8266342

BENELUX

www.omega.nl

0800-099-33-44



More than 100,000 Products Available!

• Temperature

Calibrators, Connectors, General Test and Measurement Instruments, Handheld Instruments for Temperature Measurement, Ice Point References, Indicating Labels, Crayons, Cements and Lacquers, Infrared Temperature Measurement Instruments, Recorders, Relative Humidity Measurement Instruments, PT100 Probes, PT100 Elements, Temperature & Process Meters, Timers and Counters, Temperature and Process Controllers and Power Switching Devices, Thermistor Elements, Probes and Assemblies, Thermocouples, Thermowells and Head and Well Assemblies, Transmitters, Thermocouple Wire, RTD Probes

• Flow and Level

Air Velocity Indicators, Doppler Flowmeters, Level Measurement, Magnetic Flowmeters, Mass Flowmeters, Pitot Tubes, Pumps, Rotameters, Turbine and Paddle Wheel Flowmeters, Ultrasonic Flowmeters, Valves, Variable Area Flowmeters, Vortex Shedding Flowmeters

• pH and Conductivity

Conductivity Instrumentation, Dissolved Oxygen Instrumentation, Environmental Instrumentation, pH Electrodes and Instruments, Water and Soil Analysis Instrumentation

• Data Acquisition

Communication Products and Converters, Data Acquisition and Analysis Software, Data Loggers Plug-in Cards, Signal Conditioners, USB, RS232, RS485, Ethernet and Parallel Port Data Acquisition Systems, Wireless Transmitters and Receivers

• Pressure, Strain and Force

Displacement Transducers, Dynamic Measurement Force Sensors, Instrumentation for Pressure and Strain Measurements, Load Cells, Pressure Gauges, Pressure Reference Section, Pressure Switches, Pressure Transducers, Proximity Transducers, Regulators, Pressure Transmitters, Strain Gauges, Torque Transducers, Valves

• Heaters

Band Heaters, Cartridge Heaters, Circulation Heaters, Comfort Heaters, Controllers, Meters and Switching Devices, Flexible Heaters, General Test and Measurement Instruments, Heater Hook-up Wire, Heating Cable Systems, Immersion Heaters, Process Air and Duct, Heaters, Radiant Heaters, Strip Heaters, Tubular Heaters