

MINIATURE INDUSTRIAL COMPRESSION LOAD CELL FOR INDUSTRIAL APPLICATIONS TO 50,000 lb

LCGD Series
Compression
0-25 lb to 0-50,000 lb
0-11 kg to 0-22,686 kg



Starts at
\$460



- ✓ 5-Point NIST Traceable Calibration
- ✓ Stainless Steel
- ✓ High Accuracy
- ✓ Low Profile
- ✓ Miniature Size

The LCGD Series miniature low-profile load cells are compression load cells with excellent long-term stability. An all stainless steel construction ensures reliability in severe industrial environments. These cells are designed to be mounted on a flat surface, and a load button is integral to their basic design.

SPECIFICATIONS

Excitation: 10 Vdc
Output: 2 mV/V nominal
5-Point Calibration:
 0%, 50% 100%, 50%, 0%
Linearity: ±0.25% FSO
Hysteresis: ±0.20% FSO
Repeatability: ±0.10% FSO
Zero Balance: ±2% FSO
Operating Temp Range:
 -54 to 121°C (-65 to 250°F)
Compensated Temp Range:
 16 to 71°C (60 to 160°F)
Thermal Effects:
 Span: ±0.018% rdg/°C
 Zero: ±0.009% FSO/°C

Safe Overload: 150% of capacity
Ultimate Overload: 300% of capacity
Bridge Resistance: 350 Ω minimum
Deflection: 0.076 mm (0.003")
Construction: Stainless steel
Electrical Connection: 1.5 m (5') shielded cable
Protection Class: IP65

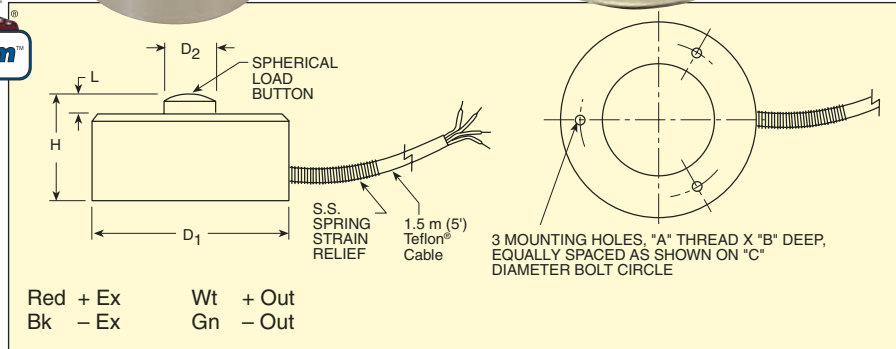


LCGD-100, \$590.



LCGD-2K, \$460.

Shown actual size.



Dimensions: mm (in)

CAPACITY	D1	D2	H	L	A	B	C
25 to 100 lb	25 (1.00)	5.3 (0.21)	16 (0.62)	1.3 (0.05)	#4-40 UNC	4.8 (0.19)	19 (0.75)
250 to 2000 lb	32 (1.25)	8.1 (0.32)	10 (0.39)	1.8 (0.07)	#6-32 UNC	6.4 (0.25)	25.4 (1.00)
5000 to 10,000 lb	38 (1.50)	11 (0.43)	16 (0.63)	2.0 (0.08)	#6-32 UNC	6.4 (0.25)	31.8 (1.25)
15,000 to 30,000 lb	51 (2.00)	15 (0.60)	25 (1.00)	3.0 (0.12)	#6-32 UNC	6.4 (0.25)	41.3 (1.63)
50,000 lb	76 (3.00)	20 (0.78)	38 (1.50)	4.6 (0.18)	#6-32 UNC	6.4 (0.25)	60.3 (2.38)

MOST POPULAR MODELS HIGHLIGHTED!

To Order (Specify Model Number)

CAPACITY		MODEL NO.	PRICE	COMPATIBLE METERS*
lb	kg			
25	11	LCGD-25	\$590	DPiS, DP41-S, DP25B-S
50	23	LCGD-50	590	DPiS, DP41-S, DP25B-S
100	45	LCGD-100	590	DPiS, DP41-S, DP25B-S
250	114	LCGD-250	490	DPiS, DP41-S, DP25B-S
500	227	LCGD-500	460	DPiS, DP41-S, DP25B-S
1000	455	LCGD-1K	460	DPiS, DP41-S, DP25B-S
2000	909	LCGD-2K	460	DPiS, DP41-S, DP25B-S
5000	2269	LCGD-5K	525	DPiS, DP41-S, DP25B-S
10,000	4537	LCGD-10K	525	DPiS, DP41-S, DP25B-S
15,000	6806	LCGD-15K	625	DPiS, DP41-S, DP25B-S
20,000	9074	LCGD-20K	625	DPiS, DP41-S, DP25B-S
30,000	13,612	LCGD-30K	625	DPiS, DP41-S, DP25B-S
50,000	22,686	LCGD-50K	695	DPiS, DP41-S, DP25B-S

Comes with 5-point NIST-traceable calibration.

* See section D for compatible meters.

Ordering Examples: LCGD-5K, 5000 lb capacity load cell, \$525. LCGD-25, 25 lb capacity load cell, \$590.

ACCESSORY

MODEL NO.	PRICE	DESCRIPTION
OP-17	\$15	Reference Book: Measure for Measure



omega.co.uk[®]

Your One-Stop Source for Process Measurement and Control!

Freephone 0800 488 488 | International +44(0) 161 777 6622 | Fax +44(0) 161 777 6622 | Sales@omega.co.uk

www.omega.co.uk



UNITED STATES

www.omega.com

1-800-TC-OMEGA
Stamford, CT.

UNITED KINGDOM

www.omega.co.uk

Manchester, England
0800-488-488
+44-(0)161-777-6611

CANADA

www.omega.ca

Laval(Quebec)
1-800-TC-OMEGA

FRANCE

www.omega.fr

0800-466-342

GERMANY

www.omega.de

Deckenfronn, Germany
0800-8266342

BENELUX

www.omega.nl

0800-099-33-44



More than 100,000 Products Available!

• Temperature

Calibrators, Connectors, General Test and Measurement Instruments, Handheld Instruments for Temperature Measurement, Ice Point References, Indicating Labels, Crayons, Cements and Lacquers, Infrared Temperature Measurement Instruments, Recorders, Relative Humidity Measurement Instruments, PT100 Probes, PT100 Elements, Temperature & Process Meters, Timers and Counters, Temperature and Process Controllers and Power Switching Devices, Thermistor Elements, Probes and Assemblies, Thermocouples, Thermowells and Head and Well Assemblies, Transmitters, Thermocouple Wire, RTD Probes

• Flow and Level

Air Velocity Indicators, Doppler Flowmeters, Level Measurement, Magnetic Flowmeters, Mass Flowmeters, Pitot Tubes, Pumps, Rotameters, Turbine and Paddle Wheel Flowmeters, Ultrasonic Flowmeters, Valves, Variable Area Flowmeters, Vortex Shedding Flowmeters

• pH and Conductivity

Conductivity Instrumentation, Dissolved Oxygen Instrumentation, Environmental Instrumentation, pH Electrodes and Instruments, Water and Soil Analysis Instrumentation

• Data Acquisition

Communication Products and Converters, Data Acquisition and Analysis Software, Data Loggers Plug-in Cards, Signal Conditioners, USB, RS232, RS485, Ethernet and Parallel Port Data Acquisition Systems, Wireless Transmitters and Receivers

• Pressure, Strain and Force

Displacement Transducers, Dynamic Measurement Force Sensors, Instrumentation for Pressure and Strain Measurements, Load Cells, Pressure Gauges, Pressure Reference Section, Pressure Switches, Pressure Transducers, Proximity Transducers, Regulators, Pressure Transmitters, Strain Gauges, Torque Transducers, Valves

• Heaters

Band Heaters, Cartridge Heaters, Circulation Heaters, Comfort Heaters, Controllers, Meters and Switching Devices, Flexible Heaters, General Test and Measurement Instruments, Heater Hook-up Wire, Heating Cable Systems, Immersion Heaters, Process Air and Duct, Heaters, Radiant Heaters, Strip Heaters, Tubular Heaters