

HIGH-ACCURACY MINIATURE UNIVERSAL LOAD CELLS

51 mm DIAMETER, DUAL STUD-MOUNT STYLE

LCM203/LCM213 Series

Tension/Compression
Calibrated in Tension
LCM203 (Cable Style)
LCM213 (Connector Style)
0-100 N to 0-50,000 N

LCM213-2KN, £385,
shown actual size.



All Models
£385



- ✓ 0.25% Interchangeability for Scale Applications
- ✓ Hermetically Sealed
- ✓ Miniature Pack for Test Stands and Difficult Locations
- ✓ Heavy-Duty Construction
- ✓ 5-Point Calibration

OMEGA's LCM203/LCM213 Series consists of high-accuracy, miniature, low-profile industrial load cells that come with a stud at each end for easy in-line mounting. The tough, corrosion-resistant steel construction and high-accuracy strain gauges, make them suitable for most industrial weighing applications.

SPECIFICATIONS

Excitation: 10 Vdc, 15 Vdc max

Output: 2 mV/V ±0.25%

5-Point Calibration:

0%, 50%, 100%, 50%, 0%

Linearity: ±0.15% FSO

Hysteresis: ±0.1% FSO

Repeatability: ±0.05% FSO

Zero Balance: ±2% FSO

Deflection: 0.025 to 0.075 mm

Agency Approvals:

FM IS/I.II.III/1/CDEFG (standard)

Operating Temp Range:

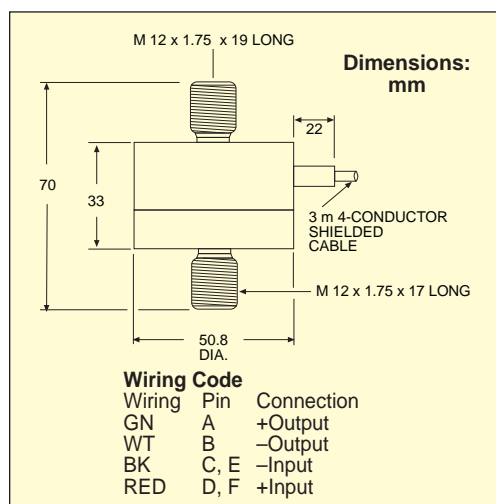
-46 to 107°C

Compensated Temp Range:

16 to 71°C



LCM203-100N, £385,
shown actual size.



Thermal Effects:

Zero: 0.0045% FSO/°C

Span: 0.009% FSO/°C

Protection Class: IP65

Safe Overload: 150% of capacity

Ultimate Overload:

300% of capacity

Input Resistance: 360 minimum

Output Resistance: 350 ±10

Construction: Stainless steel

Electrical:

LCM203: 3 m 4-conductor screened cable

Connector Model LCM213:

Body Connector: PTIH-10-6P

Mating Connector: PT06F10-6S,

£17.75 (not included)

MOST POPULAR MODELS HIGHLIGHTED!

To Order (Specify Model Number)

CAPACITY		MODEL NO.		PRICE	COMPATIBLE METERS**
N	lb	CABLE	CONNECTOR		
100	22	LCM203-100N	LCM213-100N	£385	DPiS, DP41-B, DP25B-S
200	45	LCM203-200N	LCM213-200N	385	DPiS, DP41-B, DP25B-S
500	112	LCM203-500N	LCM213-500N	385	DPiS, DP41-B, DP25B-S
1000	225	LCM203-1KN	LCM213-1KN	385	DPiS, DP41-B, DP25B-S
2000	450	LCM203-2KN	LCM213-2KN	385	DPiS, DP41-B, DP25B-S
5000	1124	LCM203-5KN	LCM213-5KN	385	DPiS, DP41-B, DP25B-S
10,000	2248	LCM203-10KN	LCM213-10KN	385	DPiS, DP41-B, DP25B-S
20,000	4496	LCM203-20KN	LCM213-20KN	385	DPiS, DP41-B, DP25B-S*
50,000	11,241	LCM203-50KN	LCM213-50KN	385	DPiS, DP41-B, DP25B-S*

Comes with 5-point traceable calibration.

* 4-digit meters. ** See page 291 for compatible meters.

Ordering Examples: LCM203-500N, 500 Newton capacity dual stud-mount load cell, £385.

MREC-M12F, accessory rod end, £23.50 ea.

ACCESSORIES

MODEL NO.	PRICE	DESCRIPTION
MREC-M12F	£23.50	Rod end
ME-1758	64.00	Reference Book: Strength of Materials and Structures



UNITED STATES

www.omega.com

1-800-TC-OMEGA

Stamford, CT.

CANADA

www.omega.ca

Laval(Quebec)

1-800-TC-OMEGA

GERMANY

www.omega.de

Deckenpfronn, Germany

0800-8266342

UNITED KINGDOM

www.omega.co.uk

Manchester, England

0800-488-488

FRANCE

www.omega.fr

088-466-342

CZECH REPUBLIC

www.omegaeng.cz

Karviná, Czech Republic

596-311-899

BENELUX

www.omega.nl

0800-099-33-44



More than 100,000 Products Available!

• Temperature

Calibrators, Connectors, General Test and Measurement Instruments, Handheld Instruments for Temperature Measurement, Ice Point References, Indicating Labels, Crayons, Cements and Lacquers, Infrared Temperature Measurement Instruments, Recorders, Relative Humidity Measurement Instruments, PT100 Probes, PT100 Elements, Temperature & Process Meters, Timers and Counters, Temperature and Process Controllers and Power Switching Devices, Thermistor Elements, Probes and Assemblies, Thermocouples, Thermowells and Head and Well Assemblies, Transmitters, Thermocouple Wire, RTD Probes

• Flow and Level

Air Velocity Indicators, Doppler Flowmeters, Level Measurement, Magnetic Flowmeters, Mass Flowmeters, Pitot Tubes, Pumps, Rotameters, Turbine and Paddle Wheel Flowmeters, Ultrasonic Flowmeters, Valves, Variable Area Flowmeters, Vortex Shedding Flowmeters

• pH and Conductivity

Conductivity Instrumentation, Dissolved Oxygen Instrumentation, Environmental Instrumentation, pH Electrodes and Instruments, Water and Soil Analysis Instrumentation

• Data Acquisition

Auto-Dialers and Alarm Monitoring Systems, Communication Products and Converters, Data Acquisition and Analysis Software, Data Loggers Plug-in Cards, Signal Conditioners, USB, RS232, RS485 and Parallel Port Data Acquisition Systems, Wireless Transmitters and Receivers

• Pressure, Strain and Force

Displacement Transducers, Dynamic Measurement Force Sensors, Instrumentation for Pressure and Strain Measurements, Load Cells, Pressure Gauges, Pressure Reference Section, Pressure Switches, Pressure Transducers, Proximity Transducers, Regulators, Pressure Transmitters, Strain Gauges, Torque Transducers, Valves

• Heaters

Band Heaters, Cartridge Heaters, Circulation Heaters, Comfort Heaters, Controllers, Meters and Switching Devices, Flexible Heaters, General Test and Measurement Instruments, Heater Hook-up Wire, Heating Cable Systems, Immersion Heaters, Process Air and Duct, Heaters, Radiant Heaters, Strip Heaters, Tubular Heaters