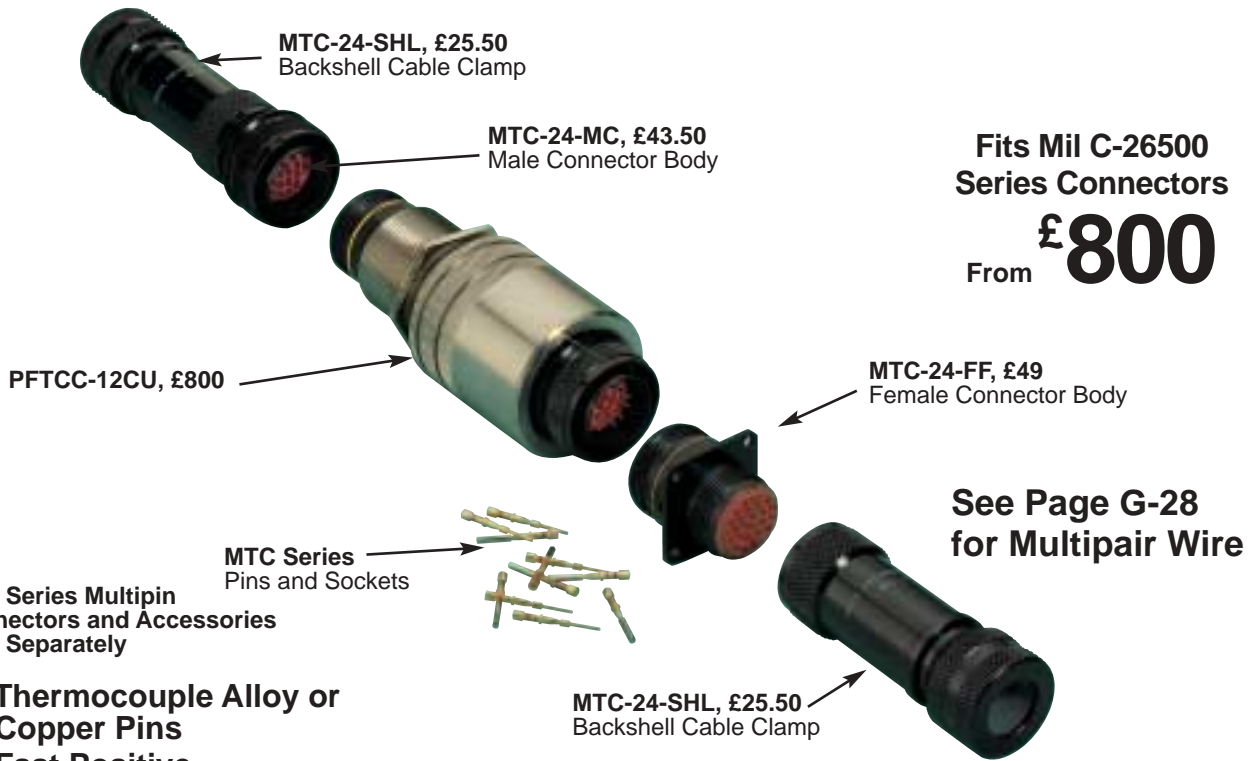


# Vacuum/Pressure Feedthroughs

## Hermetic Seal Multipin Connectors



- ✓ Thermocouple Alloy or Copper Pins
- ✓ Fast Positive Connections
- ✓ Fully Compatible with OMEGA® "MTC" Series Connectors
- ✓ 100% Inspected and Tested

### Chemical Exposure

**Compatible:** Oil, Solvents, Refrigerants, Water, Non-Corrosive Gases

**Avoid:** Strong acids and bases

### Specifications

**Material:** Housing and Nut, 300 Series stainless steel; connector shell, electroless nickel plated O-ring: Butyl pins, fits 20-24 AWG wire

**Pressure Rating:** Maximum pressure: 8 bar; Vacuum limit:  $1 \times 10^{-8}$  Torr

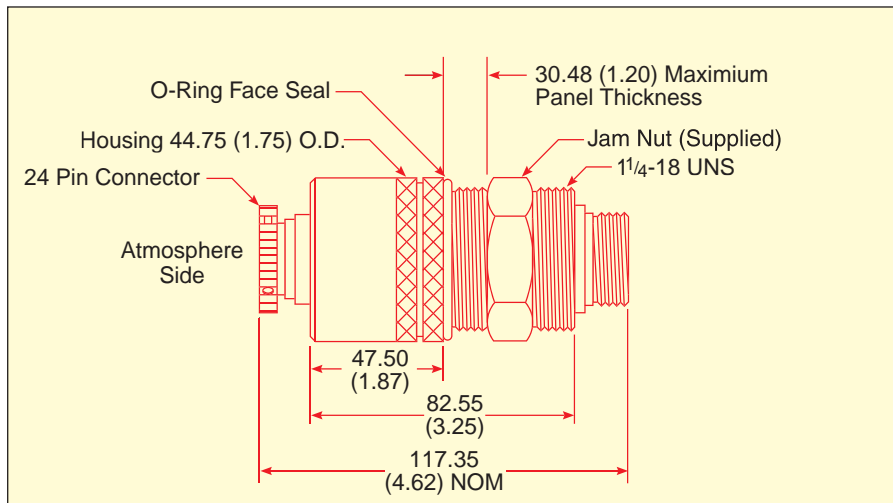
**Leak Rates, Pressure:** Leak rate at 8 bar:  $1 \times 10^{-6}$  cc air/sec; Leak rate at 1 bar. vac:  $1 \times 10^{-7}$  cc air/sec

**Leak Rates, Vacuum:** Leak rate at 1 bar:  $10 \times 10^{-8}$  cc He/sec; Leak rate at  $10^{-8}$  Torr:  $1 \times 10^{-8}$  cc He/sec

### Temperature Limits:

-40 to 120°C

**Out Gassing:** <0.003% VCM <0.4% Weight loss; Sample at 125°C, cold surface at 25°C



### To Order (Specify Model Number)

Model No.	Price (pins included)	Description
PFTCC-12CU	£800	Connector for 12 wire pairs, Cu
PFTCC-12J	2175	Connector for 12 wire pairs, J thermocouple
PFTCC-12K	2175	Connector for 12 wire pairs, K thermocouple
PFTCC-12E	2175	Connector for 12 wire pairs, E thermocouple
PFTCC-12T	2175	Connector for 12 wire pairs, T thermocouple

PFTCC connectors are for use with MTC series pins; see page F-33.

**Ordering Example:** PFTCC-12K, 24-pin connector for MIL C-26500 connectors, £2175. Compatible with 12 type-K thermocouples; cable clamps, connector bodies and MTC pins sold separately.

