

# NEMA 4X (IP66) DIFFERENTIAL PRESSURE SWITCHES

## PSW-350 Series 5 inH<sub>2</sub>O to 400 psid

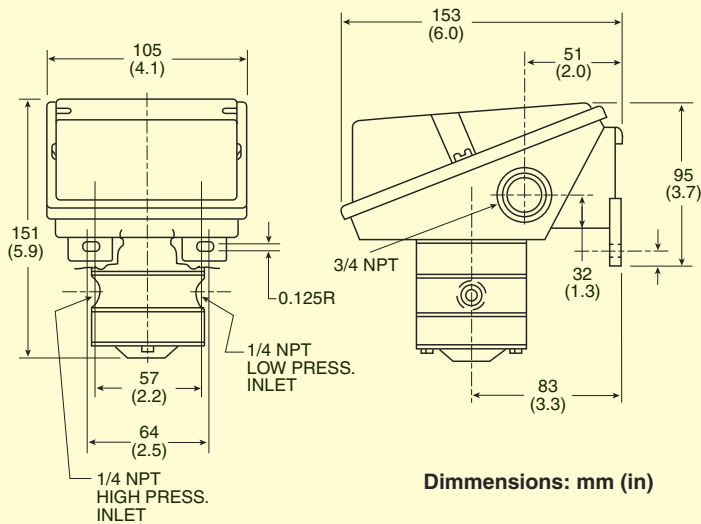
Starts at  
**\$425**



PSW-355, \$465, shown smaller than actual size.



- ✓ ±1% Setpoint Repeatability
- ✓ Rugged Epoxy-Coated NEMA 4X (IP66) Watertight Enclosure
- ✓ Dependable Switch Actuation Between the 2 Input Pressures
- ✓ High Static Pressure



### SPECIFICATIONS

(See page H-29 for additional specifications).

#### Process Fluid:

Buna-N and PTFE Diaphragms:  
-18 to 66°C (0 to 150°F)

FKM Diaphragms:  
-7 to 149°C (20 to 300°F)

Pressure Connection: ¼ FNPT;  
brass-plated carbon steel for psid ranges; carbon steel for H<sub>2</sub>O ranges

#### OPTIONS

ORDERING SUFFIX	ADD'L COST	DESCRIPTION
-V	\$60	FKM diaphragm and O-ring
-T	30	PTFE diaphragm and O-ring
-SS	120	SS diaphragm (psi units to 60 psid only)

#### ACCESSORY

MODEL NO.	PRICE	DESCRIPTION
EE-2584	\$230	Reference Book: Process Plant Instrumentation

**MOST POPULAR MODELS HIGHLIGHTED!**

### To Order (Specify Model Number)

MODEL NO.	PRICE	ADJUSTABLE RANGE UNITS	DEADBAND STANDARD PRESSURE	STATIC WORKING PRESSURE	PROOF PRESSURE	SWITCH
<b>Single Setpoint, Adjustable Deadband, Buna-N Diaphragm, O-Ring, ¼ NPTF</b>						
PSW-351	\$425	5 to 30 inH <sub>2</sub> O	4 to 27	5.4 psi	21.6 psi	10 A SPDT
PSW-352	425	9 to 60 inH <sub>2</sub> O	5 to 54	5.4 psi	21.6 psi	10 A SPDT
PSW-353	425	15 to 100 inH <sub>2</sub> O	8.5 to 90	5.4 psi	21.6 psi	10 A SPDT
PSW-354	425	23 to 150 inH <sub>2</sub> O	18 to 135	5.4 psi	21.6 psi	10 A SPDT
PSW-355	465	5 to 30 psid	3 to 27	500 psi	2000 psi	10 A SPDT
PSW-356	465	9 to 60 psid	5 to 54	500 psi	2000 psi	10 A SPDT
PSW-357	465	30 to 200 psid	18 to 180	1000 psi	4000 psi	10 A SPDT
PSW-358	465	60 to 400 psid	45 to 360	1000 psi	8000 psi	10 A SPDT
<b>Dual Setpoint, Fixed Deadband, Buna-N Diaphragm, O-Ring, ¼ NPTF</b>						
PSW-361	\$450	5 to 30 inH <sub>2</sub> O	0.7 to 1.4	5.4 psi	21.6 psi	Dual 15 A*
PSW-362	450	9 to 60 inH <sub>2</sub> O	0.7 to 2.0	5.4 psi	21.6 psi	Dual 15 A*
PSW-363	450	15 to 100 inH <sub>2</sub> O	1.4 to 2.8	5.4 psi	21.6 psi	Dual 15 A*
PSW-364	450	23 to 150 inH <sub>2</sub> O	2.4 to 4.2	5.4 psi	21.6 psi	Dual 15 A*
PSW-365	489	5 to 30 psid	1.0 to 2.1	500 psi	2000 psi	Dual 15 A*
PSW-366	489	9 to 60 psid	1.4 to 2.8	500 psi	2000 psi	Dual 15 A*
PSW-367	489	30 to 200 psid	1.4 to 5.6	1000 psi	4000 psi	Dual 15 A*
PSW-368	489	60 to 400 psid	5.6 to 11	1000 psi	8000 psi	Dual 15 A*

Comes with complete operator's manual.

\* Two 15 A SPDT switches.

Ordering Example: PSW-355, range of 5 to 30 psid, 10 A SPDT switch, \$465.

# omega.co.uk<sup>®</sup>

Your One-Stop Source for Process Measurement and Control!

Freephone 0800 488 488 | International +44(0) 161 777 6622 | Fax +44(0) 161 777 6622 | Sales@omega.co.uk

[www.omega.co.uk](http://www.omega.co.uk)



#### UNITED STATES

[www.omega.com](http://www.omega.com)

1-800-TC-OMEGA  
Stamford, CT.

#### UNITED KINGDOM

[www.omega.co.uk](http://www.omega.co.uk)

Manchester, England  
0800-488-488  
+44-(0)161-777-6611

#### CANADA

[www.omega.ca](http://www.omega.ca)

Laval(Quebec)  
1-800-TC-OMEGA

#### FRANCE

[www.omega.fr](http://www.omega.fr)

0800-466-342

#### GERMANY

[www.omega.de](http://www.omega.de)

Deckenfronn, Germany  
0800-8266342

#### BENELUX

[www.omega.nl](http://www.omega.nl)

0800-099-33-44



## More than 100,000 Products Available!

### • Temperature

Calibrators, Connectors, General Test and Measurement Instruments, Handheld Instruments for Temperature Measurement, Ice Point References, Indicating Labels, Crayons, Cements and Lacquers, Infrared Temperature Measurement Instruments, Recorders, Relative Humidity Measurement Instruments, PT100 Probes, PT100 Elements, Temperature & Process Meters, Timers and Counters, Temperature and Process Controllers and Power Switching Devices, Thermistor Elements, Probes and Assemblies, Thermocouples, Thermowells and Head and Well Assemblies, Transmitters, Thermocouple Wire, RTD Probes

### • Flow and Level

Air Velocity Indicators, Doppler Flowmeters, Level Measurement, Magnetic Flowmeters, Mass Flowmeters, Pitot Tubes, Pumps, Rotameters, Turbine and Paddle Wheel Flowmeters, Ultrasonic Flowmeters, Valves, Variable Area Flowmeters, Vortex Shedding Flowmeters

### • pH and Conductivity

Conductivity Instrumentation, Dissolved Oxygen Instrumentation, Environmental Instrumentation, pH Electrodes and Instruments, Water and Soil Analysis Instrumentation

### • Data Acquisition

Communication Products and Converters, Data Acquisition and Analysis Software, Data Loggers Plug-in Cards, Signal Conditioners, USB, RS232, RS485, Ethernet and Parallel Port Data Acquisition Systems, Wireless Transmitters and Receivers

### • Pressure, Strain and Force

Displacement Transducers, Dynamic Measurement Force Sensors, Instrumentation for Pressure and Strain Measurements, Load Cells, Pressure Gauges, Pressure Reference Section, Pressure Switches, Pressure Transducers, Proximity Transducers, Regulators, Pressure Transmitters, Strain Gauges, Torque Transducers, Valves

### • Heaters

Band Heaters, Cartridge Heaters, Circulation Heaters, Comfort Heaters, Controllers, Meters and Switching Devices, Flexible Heaters, General Test and Measurement Instruments, Heater Hook-up Wire, Heating Cable Systems, Immersion Heaters, Process Air and Duct, Heaters, Radiant Heaters, Strip Heaters, Tubular Heaters