

# SOLID STATE SENSORS FOR LOW-PRESSURE APPLICATIONS TEMPERATURE-COMPENSATED

**PX170 Series**  
0-7 to 0-28 inH<sub>2</sub>O  
0-1.7 to 0-7.0 kPa

All Ranges  
**\$85**



- ✓ Solid State Reliability
- ✓ Linear Output Proportional to Pressure
- ✓ Low Null Shift
- ✓ Integral Silicon Diaphragm
- ✓ PC Board Mount or Connector
- ✓ Ideally Suited for Clean, Dry, Non-Corrosive Gases

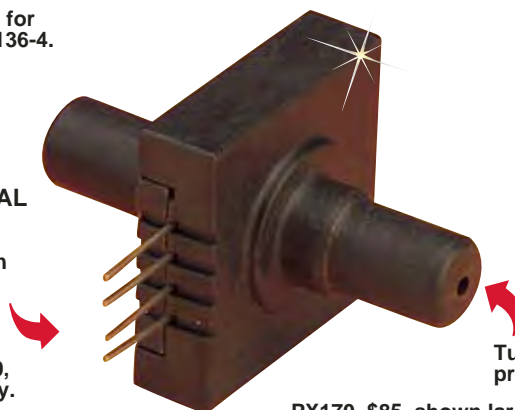
## SPECIFICATIONS

**Excitation:** 10 Vdc (16 Vdc max) @ 2 mA  
**Output:** 7 inH<sub>2</sub>O, 28 ±2 mV; 14 inH<sub>2</sub>O, 35 ±2 mV; 28 inH<sub>2</sub>O, 42 ±2 mV  
**Input Impedance:** 6.6 kΩ  
**Linearity:** P2 > P1 ±1.5% FS (full scale output)  
**Hysteresis and Repeatability:** ±0.25% FS  
**Zero Balance:** ±2 mV  
**Operable Temperature Range:** -40 to 85°C (-40 to 185°F)  
**Compensated Temperature Range:** 0 to 50°C (32 to 122°F)  
**Thermal Zero Effect:** ±3 mV  
**Thermal Span Effect:** ±3.5% FS  
**Operable Overpressure:** 140 inH<sub>2</sub>O (5 psi)  
**Stability Over 1 Year:** ±1.5% FS  
**Response Time:** 1 ms  
**Gage Type:** Solid state piezoresistor  
**Diaphragm Material:** Silicon  
**Media Compatibility:**  
**P1:** Dry gases only  
**P2 (Gage):** Limited to media that will not attack polyester, silicon, borosilicate glass or epoxy adhesive.  
**Pressure Port:** 7.1 mm (0.28") Dia.  
**Tube Fitting Electrical Connection:** Standard 2.5 mm (0.1") spacing for PC board termination  
**Mating Connectors:** CX136-4, see page C-10  
**Weight:** 7 g (0.25 oz)

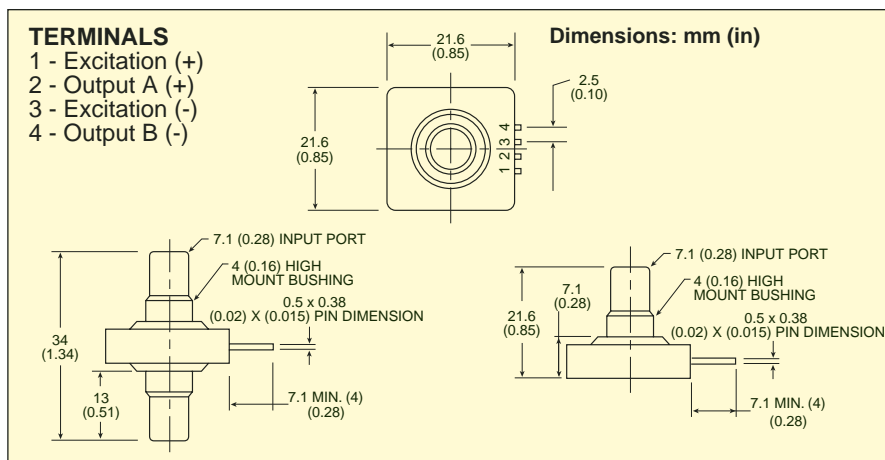
See page C-10 for connector CX136-4.

**DIFFERENTIAL**

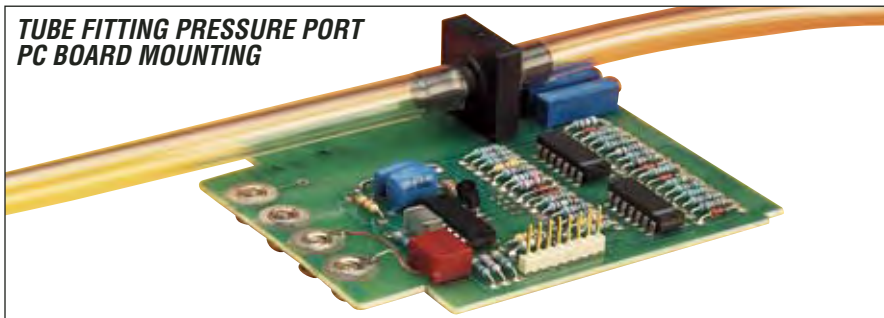
Pin connection for PC board mounting or push-on connector, CX136-4, \$2.50, sold separately.



PX170, \$85, shown larger than actual size.



## TUBE FITTING PRESSURE PORT PC BOARD MOUNTING



**ALL MODELS AVAILABLE FOR FAST DELIVERY!**

## To Order (Specify Model Number)

| RANGE              |          | TYPE | MODEL NO.  | PRICE | COMPATIBLE METERS*         |
|--------------------|----------|------|------------|-------|----------------------------|
| inH <sub>2</sub> O | kPa      |      |            |       |                            |
| 0 to 7             | 0 to 1.7 | Diff | PX170-07DV | \$85  | DP41-S, DP2000-S3, DP25B-S |
| 0 to 14            | 0 to 3.5 | Diff | PX170-14DV | 85    | DP41-S, DP2000S4, DP25B-S  |
| 0 to 28            | 0 to 7.0 | Diff | PX170-28DV | 85    | DP41-S, DP2000S1, DP25B-S  |

Comes with operator's manual.

\* See section D for compatible meters.

**Ordering Example:** PX170-28DV, differential input transducer with a range of 0 to 28 inH<sub>2</sub>O, \$85.

## ACCESSORY

| MODEL NO. | PRICE | DESCRIPTION                              |
|-----------|-------|--|
| EE-2560   | \$125 | Reference Book: Analog Signal Processing |



# omega.co.uk<sup>®</sup>

Your One-Stop Source for Process Measurement and Control!

Freephone 0800 488 488 | International +44(0) 161 777 6622 | Fax +44(0) 161 777 6622 | Sales@omega.co.uk

[www.omega.co.uk](http://www.omega.co.uk)



#### UNITED STATES

[www.omega.com](http://www.omega.com)

1-800-TC-OMEGA  
Stamford, CT.

#### UNITED KINGDOM

[www.omega.co.uk](http://www.omega.co.uk)

Manchester, England  
0800-488-488  
+44-(0)161-777-6611

#### CANADA

[www.omega.ca](http://www.omega.ca)

Laval(Quebec)  
1-800-TC-OMEGA

#### FRANCE

[www.omega.fr](http://www.omega.fr)

0800-466-342

#### GERMANY

[www.omega.de](http://www.omega.de)

Deckenfronn, Germany  
0800-8266342

#### BENELUX

[www.omega.nl](http://www.omega.nl)

0800-099-33-44



## More than 100,000 Products Available!

### • Temperature

Calibrators, Connectors, General Test and Measurement Instruments, Handheld Instruments for Temperature Measurement, Ice Point References, Indicating Labels, Crayons, Cements and Lacquers, Infrared Temperature Measurement Instruments, Recorders, Relative Humidity Measurement Instruments, PT100 Probes, PT100 Elements, Temperature & Process Meters, Timers and Counters, Temperature and Process Controllers and Power Switching Devices, Thermistor Elements, Probes and Assemblies, Thermocouples, Thermowells and Head and Well Assemblies, Transmitters, Thermocouple Wire, RTD Probes

### • Flow and Level

Air Velocity Indicators, Doppler Flowmeters, Level Measurement, Magnetic Flowmeters, Mass Flowmeters, Pitot Tubes, Pumps, Rotameters, Turbine and Paddle Wheel Flowmeters, Ultrasonic Flowmeters, Valves, Variable Area Flowmeters, Vortex Shedding Flowmeters

### • pH and Conductivity

Conductivity Instrumentation, Dissolved Oxygen Instrumentation, Environmental Instrumentation, pH Electrodes and Instruments, Water and Soil Analysis Instrumentation

### • Data Acquisition

Communication Products and Converters, Data Acquisition and Analysis Software, Data Loggers Plug-in Cards, Signal Conditioners, USB, RS232, RS485, Ethernet and Parallel Port Data Acquisition Systems, Wireless Transmitters and Receivers

### • Pressure, Strain and Force

Displacement Transducers, Dynamic Measurement Force Sensors, Instrumentation for Pressure and Strain Measurements, Load Cells, Pressure Gauges, Pressure Reference Section, Pressure Switches, Pressure Transducers, Proximity Transducers, Regulators, Pressure Transmitters, Strain Gauges, Torque Transducers, Valves

### • Heaters

Band Heaters, Cartridge Heaters, Circulation Heaters, Comfort Heaters, Controllers, Meters and Switching Devices, Flexible Heaters, General Test and Measurement Instruments, Heater Hook-up Wire, Heating Cable Systems, Immersion Heaters, Process Air and Duct, Heaters, Radiant Heaters, Strip Heaters, Tubular Heaters