

SUBMERSIBLE WATER LEVEL TRANSMITTERS

Measures 0 to 1.5 m (5') to 0 to 210 m (690') of Water



Moisture trap/
desiccant
included with
each unit.

4 to 20 mA OUTPUT

Three Accuracies

PX437 0.1%

PX438 0.25%

PX439 0.5%

Series Submersible Transmitters

0 to 1.5 m (5') to
0 to 210.3 m (690') water
0 to 2 to 0-300 psi

PX437-002GI, \$809, shown actual size, with DP41-E meter, \$545, visit omega.com/dp41, and PX430-TRAP water vapor trap, \$16, (included as standard).

PX439 Series
Starts at

\$579



- ✓ Designed for Complete Submersibility
- ✓ Unique Molded Cable Seal System Insures Water-Tight Integrity
- ✓ High Static Accuracy and Repeatability
- ✓ 100% Computer Tested, Calibrated and Serialized
- ✓ Calibration Sheet Provided
- ✓ Fully Temperature Compensated
- ✓ Moisture Trap Included as Standard Feature

Typical Applications

- ✓ Well Monitoring
- ✓ Slug Tests
- ✓ Pump Control
- ✓ Ground Water Monitoring
- ✓ Soil Remediation
- ✓ Oceanographic Research
- ✓ Lift Stations
- ✓ Level Control
- ✓ Surface Water Monitoring

OMEGA's PX437, PX438 and PX439 Series submersible water level transmitters are designed to meet the rigorous environments of applications including well monitoring, pump tests, lift stations, chemical tank level, ground water and surface water measurement and process control and many others. They provide repeatable, precision depth measurements under the most adverse conditions. These transducers utilize a silicon pressure cell fitted into a stainless steel housing with an integral welded 316 stainless steel barrier diaphragm. The nose cap is made of POM.

The supplied calibration sheet specifies input and output data which reflects the unit's static accuracy and thermal characteristics.

Each transducer is shipped with a moisture trap that prevents moisture from entering the vent tube. Replacement moisture traps are available as accessory items.

SPECIFICATIONS

Excitation: 9 to 30 Vdc, reverse polarity protected

Output: 4 to 20 mA dc, 2 wire, short circuit protected

Input Current: 20 mA max

Zero Offset: ±0.12 mA max

Insulation Resistance: 100 MΩ at 50Vdc

Accuracy:

PX437 0.1% FS BFSL

PX438 0.25% FS BFSL

PX439 0.5% FS BFSL (includes linearity, hysteresis and repeatability)

Response Time: 2 ms

Operating Temperature: -10 to 60°C (15 to 140°F)

Compensated Temperature: 0 to 50°C (32 to 120°F)

Combined Thermal Effect: ±0.05% FS/°C (Zero and Span) 0.1% FS/°C for 2 and 5 psig ranges

Proof Pressure: 150%

Burst Pressure: 200%

Wetted Parts: 316 Stainless Steel, POM, Polyurethane Cable FKM or PFE

Fill Fluid: Silicone oil

Mounting Provisions: Suspended by cable. For turbulent conditions, specify optional mounting clamp

Electrical

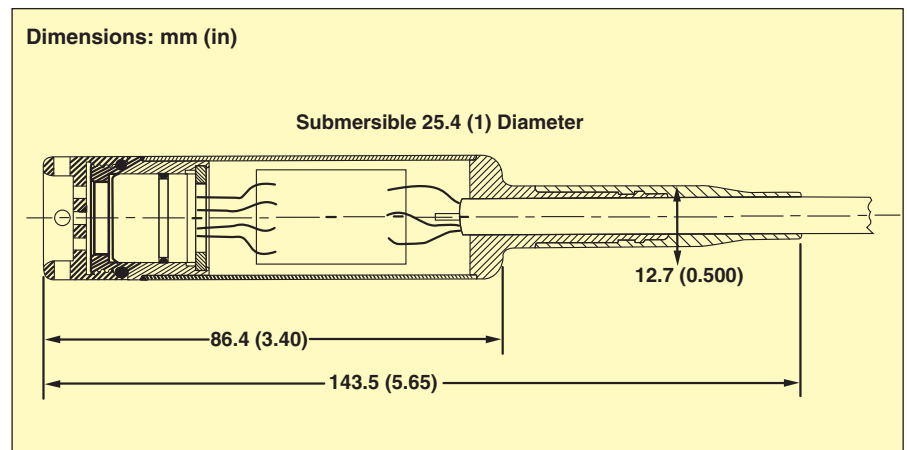
Connections:

Submersible cable terminating in pigtail leads

Cable: Polyurethane jacketed shielded cable with polyethylene vent tube and Kevlar® tension members 198 lb (90 kg) pull strength Conductors are 22 AWG

Weight: 200 g (7 oz) transducer 79 g/m cable (0.8 oz/ft) cable weight

PX437-002GI, \$809, shown smaller than actual size.



CUSTOM BUILT TO ORDER!

To Order (Specify Model Number)

Range psig/(ft H ₂ O)	0.1% FS Accuracy		0.25% FS Accuracy		0.5% FS Accuracy		Cable Length
	Model No.	Price	Model No.	Price	Model No.	Price	
0 to 2 (5)	PX437-002GI	\$809	PX438-002GI	\$689	PX439-002GI	\$579	20'
0 to 5 (11.5)	PX437-005GI	809	PX438-005GI	689	PX439-005GI	579	20'
0 to 10 (23.1)	PX437-010GI	835	PX438-010GI	725	PX439-010GI	615	40'
0 to 15 (34.6)	PX437-015GI	855	PX438-015GI	745	PX439-015GI	635	50'
0 to 30 (69.2)	PX437-030GI	929	PX438-030GI	819	PX439-030GI	709	90'
0 to 50 (115)	PX437-050GI	1009	PX438-050GI	905	PX439-050GI	789	135'
0 to 100 (230)	PX437-100GI	1219	PX438-100GI	1109	PX439-100GI	995	250'
0 to 150 (345)	PX437-150GI	1439	PX438-150GI	1325	PX439-150GI	1215	365'
0 to 200 (460)	PX437-200GI	1635	PX438-200GI	1525	PX439-200GI	1415	480'
0 to 250 (575)	PX437-250GI	1845	PX438-250GI	1735	PX439-250GI	1625	595'
0 to 300 (690)	PX437-300GI	2055	PX438-300GI	1945	PX439-300GI	1835	710'

Comes complete with operator's manual and cable.

For lightning protection option, add suffix "-009" to model number, and \$350 to price.

Ordering Example: PX439-010GI is a submersible transmitter, with 0.5% FS accuracy, 0 to 10 psig, 23.1 ftH₂O and a 40' cable, \$615. Order extra PX430-TRAP, vent filter/water vapor trap, \$16.

CUSTOM RANGES

PX43 - GI -

Enter "7" for 0.1%
"8" for 0.25%
"9" for 0.5%
Enter PSI Range

Enter cable length
(\$1.80/FT)

Accessories

Model No.	Price	Description
PX430-TRAP	\$16	Vent filter/water vapor trap
PX430-CLAMP	30	Mounting clamp
ES-2207	100	Reference Book: Handbook of Water and Wastewater Treatment Technologies



omega.co.uk[®]

Your One-Stop Source for Process Measurement and Control!

Freephone 0800 488 488 | International +44(0) 161 777 6622 | Fax +44(0) 161 777 6622 | Sales@omega.co.uk

www.omega.co.uk



UNITED STATES

www.omega.com

1-800-TC-OMEGA
Stamford, CT.

CANADA

www.omega.ca

Laval(Quebec)
1-800-TC-OMEGA

GERMANY

www.omega.de

Deckenfronn, Germany
0800-8266342

UNITED KINGDOM

www.omega.co.uk

Manchester, England
0800-488-488
+44-(0)161-777-6611

FRANCE

www.omega.fr

0800-466-342

BENELUX

www.omega.nl

0800-099-33-44



More than 100,000 Products Available!

• Temperature

Calibrators, Connectors, General Test and Measurement Instruments, Handheld Instruments for Temperature Measurement, Ice Point References, Indicating Labels, Crayons, Cements and Lacquers, Infrared Temperature Measurement Instruments, Recorders, Relative Humidity Measurement Instruments, PT100 Probes, PT100 Elements, Temperature & Process Meters, Timers and Counters, Temperature and Process Controllers and Power Switching Devices, Thermistor Elements, Probes and Assemblies, Thermocouples, Thermowells and Head and Well Assemblies, Transmitters, Thermocouple Wire, RTD Probes

• Flow and Level

Air Velocity Indicators, Doppler Flowmeters, Level Measurement, Magnetic Flowmeters, Mass Flowmeters, Pitot Tubes, Pumps, Rotameters, Turbine and Paddle Wheel Flowmeters, Ultrasonic Flowmeters, Valves, Variable Area Flowmeters, Vortex Shedding Flowmeters

• pH and Conductivity

Conductivity Instrumentation, Dissolved Oxygen Instrumentation, Environmental Instrumentation, pH Electrodes and Instruments, Water and Soil Analysis Instrumentation

• Data Acquisition

Communication Products and Converters, Data Acquisition and Analysis Software, Data Loggers Plug-in Cards, Signal Conditioners, USB, RS232, RS485, Ethernet and Parallel Port Data Acquisition Systems, Wireless Transmitters and Receivers

• Pressure, Strain and Force

Displacement Transducers, Dynamic Measurement Force Sensors, Instrumentation for Pressure and Strain Measurements, Load Cells, Pressure Gauges, Pressure Reference Section, Pressure Switches, Pressure Transducers, Proximity Transducers, Regulators, Pressure Transmitters, Strain Gauges, Torque Transducers, Valves

• Heaters

Band Heaters, Cartridge Heaters, Circulation Heaters, Comfort Heaters, Controllers, Meters and Switching Devices, Flexible Heaters, General Test and Measurement Instruments, Heater Hook-up Wire, Heating Cable Systems, Immersion Heaters, Process Air and Duct, Heaters, Radiant Heaters, Strip Heaters, Tubular Heaters