

HIGH ACCURACY WET/WET DIFFERENTIAL PRESSURE TRANSDUCER COMPACT SIZE

PXM81 Series
0-160 mbar to 0-35 bar
Differential Pressure
mV/V Output
0 to 5 Vdc Output
4 to 20 mA Output

1 bar = 14.5 psi
1 kg/cm² = 14.22 psi
1 Atmosphere = 14.7 psi = 29.93
in-Hg = 760.2 mm-Hg = 1.014 bar

Starts at
£369



- ✓ High Accuracy Wet/ Wet Differential Pressure
- ✓ All Stainless Steel Construction for Harsh Industrial Environments
- ✓ High Operating Temperature
- ✓ 5 Point Calibration Provided 0%, 50%, 100%, 50%, 0%

OMEGA's PXM81 Series wet/wet, differential pressure transducer is a compact, high accuracy transducer designed for industrial applications where low drift and long term reliability are important. Its small temperature compensation error minimizes errors due to changing process temperatures and the rugged all stainless steel construction allows the PXM81 to withstand typical harsh industrial environments found in chemical and industrial plants. Available with either mV/V, 0 to 5 Vdc or 4 to 20 mA outputs, the PXM81 Series transducers will interface most existing control systems.



MOST POPULAR MODELS HIGHLIGHTED!

To Order (Specify Model Number)			
G 1/4 Pressure Connection, Specify Electrical Termination			
RANGE	MODEL NO.	PRICE	
Differential Pressure		5V or mA	mV/V
0 to 160 mbar	PXM81MD[*]-160MBARD[**]	£459	N/A
0 to 350 mbar	PXM81MD[*]-350MBARD[**]	459	£369
0 to 700 mbar	PXM81MD[*]-700MBARD[**]	459	369
0 to 1.4 bar	PXM81MD[*]-1.40BARD[**]	459	369
0 to 3.5 bar	PXM81MD[*]-3.50BARD[**]	459	369
0 to 7 bar	PXM81MD[*]-007BARD[**]	459	369
0 to 14 bar	PXM81MD[*]-014BARD[**]	459	369
0 to 20 bar	PXM81MD[*]-020BARD[**]	459	369
0 to 35 bar	PXM81MD[*]-035BARD[**]	459	369

[*] Insert "0" for 3 m cable, "1" for twist lock connector, or "6" for micro DIN connector.

[**] Insert "I" for 4 to 20 mA, "5T" for 0 to 5 Vdc, or "V" for mV/V output.

See page 291 for compatible meters.

To order extra cable on Cable Style models, add suffix "--(total length in metres)M" and add £4.35/m over the standard 3 m length.

Ordering Examples: PXM81MD0-014BARDI-10M, 14 bar differential pressure transducer with 4 to 20 mA output and 10 m cable, £459 + (7 x 4.35) = £489.45.

PXM81MD1-350MBARDI, 350 millibar differential pressure transducer with 4 to 20 mA output and a twist lock connector, £459. Mating connector (not included), PT06F10-6S, £17.75.

WET/WET DIFFERENTIAL PRESSURE TRANSDUCERS

SPECIFICATIONS

mV/V OUTPUT:

Excitation: 10 Vdc
(15 V max)

Output: 3 mV/V nominal

Bridge Resistance:

350 Ω minimum

Zero Balance:

±1% FSO

5 Vdc OUTPUT

Excitation: 24 to 32 Vdc

Output: 0 to 5 Vdc ±10% adj

Zero Balance: 0 V ±10% adj

4 to 20 mA OUTPUT

Excitation: 10 to 40 Vdc

Output: 4 to 20 mA ±10%

Zero Balance:

4 mA +10% -2% adj

COMMON SPECIFICATIONS

Accuracy: ±0.5% Linearity, Hysteresis and Repeatability Combined

Environmental:

Operational Temp Range:

mV/V: -73 to 163°C

5T and I: -46 to 121°C

Compensated Temp Range:

+17 to 71°C

Thermal Effects: mV/V and 5V

Zero: ±0.009% FSO/°C

Span: ±0.0054% rdg/°C

4 to 20 mA

Zero: ±0.009% FSO/°C

Span: ±0.009% rdg/°C

Pressure:

Safe Over Pressure:

150% rated pressure

Burst Pressure: 300% rated pressure

Mechanical:

Wetted Parts: 17-4 PH stainless steel

Pressure Port: G ¼ Female

Electrical Connection:

Style 0: 3 m cable,

Style 1: PTIH-10-6P (or equal)

Style 6: micro DIN

Mating Connector:

Style 1: PT06F10-6S (not included)

Style 6: Mating connector included



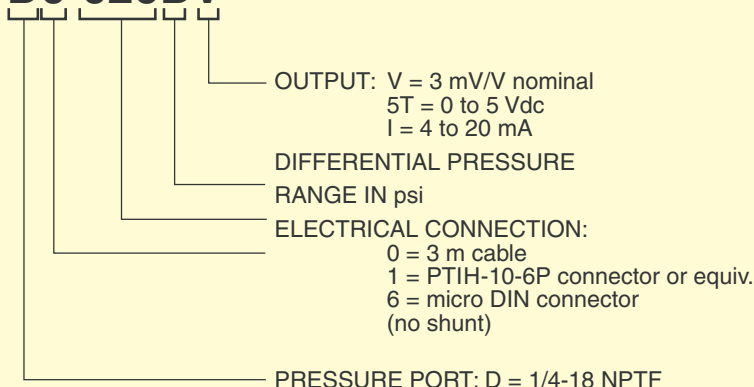
PXM81MD0-1.40BARDI, £369, shown close to than actual size.



CUSTOM CONFIGURATIONS

MODEL NUMBER SPECIFICATION:

PX81D0-020DV



To order extra cable on cable style models, add suffix “-(total length in metres)M” add £4.35/m over the standard 3 m length.

Ordering Examples: PXM81MD0-350mBARDI-10M, 350 mbar range model with 4 to 20 mA output and 10 metre cable, £459 + (7 x 4.35) = £489.45. PXM81MD1-3.50BARDV, 3.5 bar range model with mV/V output and PTIH-10-6P twist lock connector, £369. Mating connector (not included) PT06F10-6S £17.75. PXM81MD6-014BARD5T, 14 bar range model with 0 to 5 Vdc output with a micro DIN connector, £459. Mating connector included.

omega.co.uk[®]

Your One-Stop Source for Process Measurement and Control!

Freephone 0800 488 488 | International +44(0) 161 777 6622 | Fax +44(0) 161 777 6622 | Sales@omega.co.uk

www.omega.co.uk



UNITED STATES

www.omega.com

1-800-TC-OMEGA

Stamford, CT.

CANADA

www.omega.ca

Laval(Quebec)

1-800-TC-OMEGA

GERMANY

www.omega.de

Deckenpfronn, Germany

0800-8266342

UNITED KINGDOM

www.omega.co.uk

Manchester, England

0800-488-488

FRANCE

www.omega.fr

088-466-342

CZECH REPUBLIC

www.omegaeng.cz

Karviná, Czech Republic

596-311-899

BENELUX

www.omega.nl

0800-099-33-44



More than 100,000 Products Available!

• Temperature

Calibrators, Connectors, General Test and Measurement Instruments, Handheld Instruments for Temperature Measurement, Ice Point References, Indicating Labels, Crayons, Cements and Lacquers, Infrared Temperature Measurement Instruments, Recorders, Relative Humidity Measurement Instruments, PT100 Probes, PT100 Elements, Temperature & Process Meters, Timers and Counters, Temperature and Process Controllers and Power Switching Devices, Thermistor Elements, Probes and Assemblies, Thermocouples, Thermowells and Head and Well Assemblies, Transmitters, Thermocouple Wire, RTD Probes

• Flow and Level

Air Velocity Indicators, Doppler Flowmeters, Level Measurement, Magnetic Flowmeters, Mass Flowmeters, Pitot Tubes, Pumps, Rotameters, Turbine and Paddle Wheel Flowmeters, Ultrasonic Flowmeters, Valves, Variable Area Flowmeters, Vortex Shedding Flowmeters

• pH and Conductivity

Conductivity Instrumentation, Dissolved Oxygen Instrumentation, Environmental Instrumentation, pH Electrodes and Instruments, Water and Soil Analysis Instrumentation

• Data Acquisition

Auto-Dialers and Alarm Monitoring Systems, Communication Products and Converters, Data Acquisition and Analysis Software, Data Loggers Plug-in Cards, Signal Conditioners, USB, RS232, RS485 and Parallel Port Data Acquisition Systems, Wireless Transmitters and Receivers

• Pressure, Strain and Force

Displacement Transducers, Dynamic Measurement Force Sensors, Instrumentation for Pressure and Strain Measurements, Load Cells, Pressure Gauges, Pressure Reference Section, Pressure Switches, Pressure Transducers, Proximity Transducers, Regulators, Pressure Transmitters, Strain Gauges, Torque Transducers, Valves

• Heaters

Band Heaters, Cartridge Heaters, Circulation Heaters, Comfort Heaters, Controllers, Meters and Switching Devices, Flexible Heaters, General Test and Measurement Instruments, Heater Hook-up Wire, Heating Cable Systems, Immersion Heaters, Process Air and Duct, Heaters, Radiant Heaters, Strip Heaters, Tubular Heaters