

LOW-RANGE WET/WET INDUSTRIAL DIFFERENTIAL TRANSDUCER

PXM82 Series

0-130 mbar to 0-2 bar

0-2 to 0-30 psi

Differential Pressure

mV/V Output

0 to 5 Vdc Output

4 to 20 mA Output

1 psi = 27.68 inH₂O

1 bar = 14.5 psi

1 kg/cm² = 14.22 psi

1 atmosphere = 14.7 psi = 29.93

inHg = 760.2 mmHg = 1.014 bar

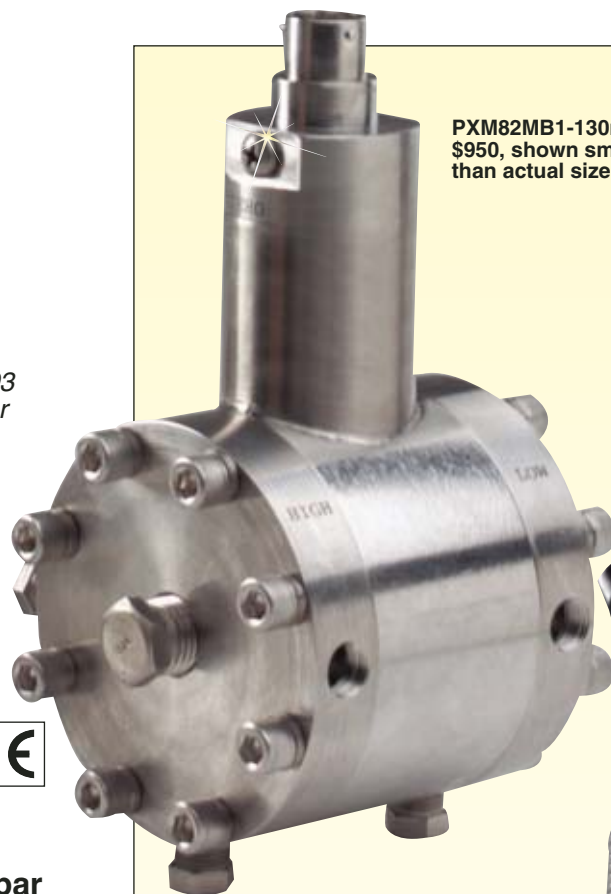
Starts at

\$795



- ✓ Inches of Water Differential at Line Pressure—Up to 100 bar (1500 psi)
- ✓ FM Approved Intrinsically Safe
- ✓ Stainless Steel/Inconel Construction for Harsh Industrial Environments
- ✓ High Overpressure Capability
- ✓ High Operating Temperature
- ✓ 5-Point Calibration Provided: 0%, 50%, 100%, 50%, 0%

OMEGA's PXM82 Series wet/wet, differential pressure transducers can measure inches of water differential at line pressures of up to 103 bar (1500 psi). This high line pressure capacity, a high operating temperature, and excellent temperature compensation make the PXM82 an extremely accurate and reliable transducer. An FM Approved Intrinsically Safe rating is standard. The rugged Inconel® diaphragms and stainless steel body give the PXM82 high reliability in harsh industrial environments. The PXM82 Series is available with mV/V, 5 V, or 4 to 20 mA outputs.



PXM82MB1-130mBARDI, \$950, shown smaller than actual size.



PXM82MB1-001BARD5V, \$950, shown smaller than actual size.

LOW-RANGE WET/WET INDUSTRIAL DIFFERENTIAL TRANSDUCER

SPECIFICATIONS

mV/V Output ELECTRICAL

Excitation: 10 Vdc (15 V max)

Output: 1.5 mV/V nominal

Input Resistance: 5000 Ω min

Output Resistance: 5000 Ω ±25 Ω

Zero Balance: ±2% FS

0.5 to 5.5 Vdc Output

Electrical:

Excitation: 10 to 35 Vdc

Output: 0.5 to 5.5 Vdc ±10%

Zero Balance: 0.5 V ±2% adj

4 to 20mA Output

Electrical:

Excitation: 10 to 40 Vdc

Output: 4 to 20 mA ±10% adj

Zero Balance: 4 mA +10% -2% adj

COMMON SPECIFICATIONS PERFORMANCE

Accuracy: 0.5% linearity, hysteresis and repeatability combined

Agency Approvals: FM Intrinsically Safe IS/I.II.III/1/CDEFG standard

ENVIRONMENTAL

Operating Temp Range:

-34 to 107°C (-30 to 225°F)

Compensated Temp Range:

-1 to 54°C (30 to 130°F)

Pressure Effects:

Zero: <2%/1000 psi line pressure

Span: -2.45%/1000 psi line pressure

Thermal Effects:

Zero: ±0.50% FSO maximum over compensated range

Span: ±0.50% rdg maximum over compensated range

PRESSURE

Line Operating Pressure:

100 bar (1500 psi)

Safe Overpressure:

70 bar (1000 psi) each side

Burst Pressure:

170 bar (2500 psi) minimum

MECHANICAL

Wetted Parts: 17-4 PH stainless steel and Inconel 625

Pressure Port: Three G 1/8 and one G 1/4 female per side

Electrical Connection:

Style 0: 3 m (10') cable

Style 1: PTIH-10-6P (or equal)

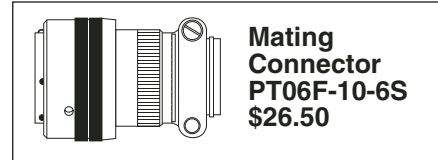
Style 6: Micro DIN

Mating Connector:

Style 1: PT06F-10-6S

(not included)

Style 6: Mating connector (included)



**Mating Connector
PT06F-10-6S
\$26.50**



CUSTOM CONFIGURATIONS

MODEL NUMBER SPECIFICATION:

PXM82MB0-002BARDV

PXM82MB0-001BARDI,
\$950, shown smaller
than actual size.

OUTPUT: V = 1.5 mV/V nominal
5V = 0.5 to 5.5 Vdc
I = 4 to 20 mA

DIFFERENTIAL PRESSURE

RANGE IN bar

ELECTRICAL CONNECTION:

0 = 3 m (10') cable
1 = PTIH-10-6P connector
or equivalent
6 = micro DIN connector*
* no shunt

PRESSURE PORT: B = 1/8-27 NPTF

Comes with 5-point calibration.

To order extra cable on cable style models, add suffix “-(Total length in meters)M” and \$6.50/m beyond the standard 3 m (10') length.

Ordering Examples: PXM82MD0-350mBARDI-10M, 350 mbar range model with 4 to 20 mA output and 10 m (32') cable, \$950 + (7 x 6.50) = \$995.50. PXM82MD1-500BARDV, 500 mbar range model with mV/V output and PTIH-10-6P, twist-lock connector, \$795. PT06F-10-6S, mating connector (not included), \$26.50. PXM82MD6-001BARD5V, 1 bar range model with 0.5 to 5.5 Vdc output and micro DIN connector, \$950. Mating connector included.

HOW TO ORDER PXM82 SERIES LOW-RANGE WET/WET INDUSTRIAL DIFFERENTIAL TRANSDUCER WITH mV/V OUTPUT

PXM82 Series
mV/V Output
0-130 mbar to 0-2 bar
0-2 to 0-30 psi
Differential Pressure

All Ranges
\$795
mV Unit

- ✓ mbar Differential at Line Pressure—Up to 100 bar
- ✓ Stainless Steel/Inconel Construction for Harsh Industrial Environments
- ✓ High Overpressure Capability
- ✓ High Operating Temperature
- ✓ 5-Point Calibration Provided: 0%, 50%, 100%, 50%, 0%

mV/V Output
ELECTRICAL

Excitation: 10 Vdc (15 V max)

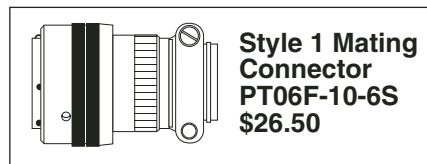
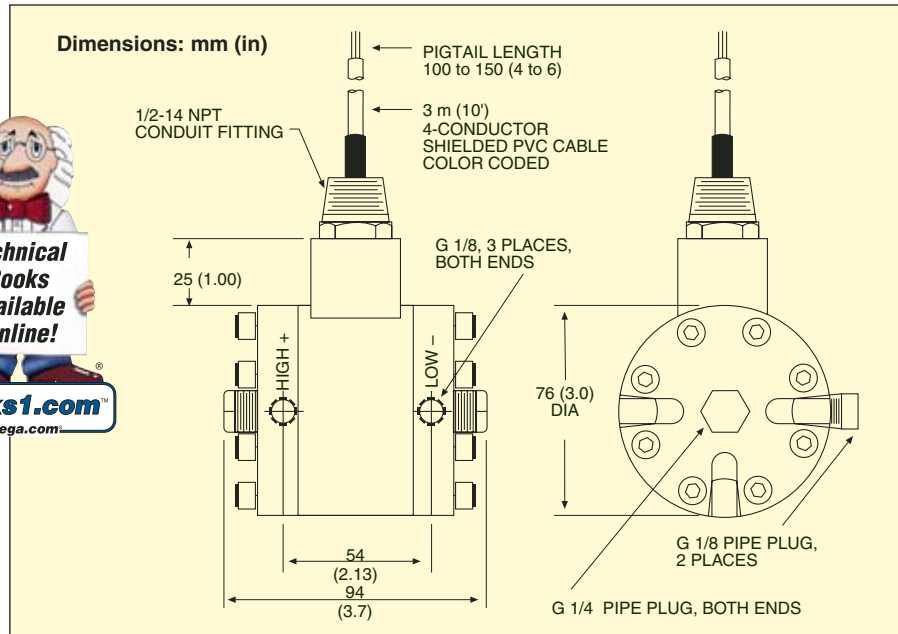
Output: 1.5 mV/V nominal

Input Resistance: 5000 Ω min

Output Resistance: 5000 Ω ±25 Ω

Zero Balance: ±2% FS

PXM82MB1-190mBARDV, \$950,
shown smaller than actual size.



CONNECTIONS mV/V

	PIN	Cable	DIN
+Output	A	Green	2
-Output	B	White	3
-Input	C	Black	GRND
+Input	D	Red	1

MOST POPULAR MODELS HIGHLIGHTED!

To Order (Specify Model Number)

mV/V Output with G 1/4 Pressure Connection, Specify Electrical Termination

RANGE	MODEL NO.	PRICE	COMPATIBLE METERS*
DIFFERENTIAL PRESSURE			
0 to 130 mbar 0 to 1.9 psi	PXM82MB[*]-130mBARDV	\$795	DP41-S, DP25B-S
0 to 190 mbar 0 to 2.8 psi	PXM82MB[*]-190mBARDV	795	DP41-S, DP25B-S
0 to 250 mbar 0 to 3.6 psi	PXM82MB[*]-250mBARDV	795	DP41-S, DP25B-S
0 to 370 mbar 0 to 5.4 psi	PXM82MB[*]-370mBARDV	795	DP41-S, DP25B-S
0 to 500 mbar 0 to 7.3 psi	PXM82MB[*]-500mBARDV	795	DP41-S, DP25B-S
0 to 750 mbar 0 to 11 psi	PXM82MB[*]-750mBARDV	795	DP41-S, DP25B-S
0 to 1.00 bar 0 to 15 psi	PXM82MB[*]-001BARDV	795	DP41-S, DP25B-S
0 to 1.25 bar 0 to 18 psi	PXM82MB[*]-1.25BARDV	795	DP41-S, DP25B-S
0 to 2.00 bar 0 to 30 psi	PXM82MB[*]-002BARDV	795	DP41-S, DP25B-S

Comes with 5-point calibration.

[*] Insert "0" for 3 m (10') cable, "1" for twist-lock connector or "6" for micro DIN connector.

* See section D for compatible meters.

To order extra cable on cable style models, add suffix "--(Total length in meters)M" and \$6.50/m beyond the standard 3 m (10') length.

Ordering Examples: PXM82MD0-130mBARDV-10M, 130 mbar differential pressure transducer with 1.5 mV/V output and 10 m (32') cable, \$795 + (7 x 6.50) = \$840.50.

PXM82MD1-001BARDV, 1 bar differential pressure transducer with 1.5 mV/V output and twist-lock connector, \$795. PT06F-10-6S, mating connector (not included), \$26.50.

ACCESSORY

MODEL NO.	PRICE	DESCRIPTION
EE-2455	\$170	Reference Book: The Engineering Handbook

HOW TO ORDER PXM82 SERIES LOW-RANGE WET/WET INDUSTRIAL DIFFERENTIAL TRANSMITTER WITH 0.5 TO 5.5 Vdc OUTPUT

PXM82 Series
0.5 to 5.5 Vdc Output
0-130 mbar to 0-2 bar
0-2 to 0-30 psi
Differential Pressure

All Ranges
\$950
5 V Unit

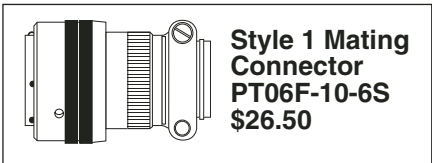


- ✓ mbar Differential at Line Pressure—Up to 100 bar
- ✓ FM Approved Intrinsically Safe
- ✓ Stainless Steel/Inconel® Construction for Harsh Industrial Environments
- ✓ High Overpressure Capability
- ✓ High Operating Temperature
- ✓ 5-Point Calibration Provided: 0%, 50%, 100%, 50%, 0%

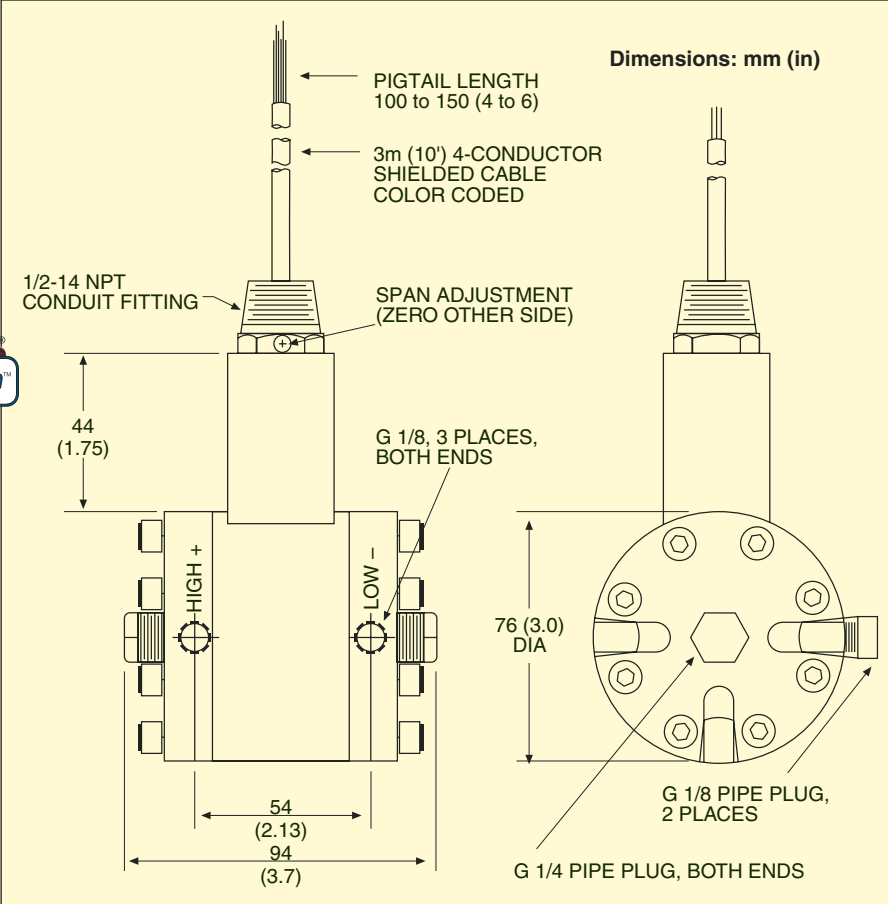
0.5 to 5.5 Vdc Output
ELECTRICAL

Excitation: 10 to 35 Vdc
Output: 0.5 to 5.5 Vdc ±10%
Zero Balance: 0.5 V ±2% adj

CONNECTIONS Volts			
	PIN	Cable	DIN
+ Output	A	Green	2
- Output	B	White	3
- Input	C	Black	GRND
+ Input	D	Red	1



MODEL NO.	PRICE	DESCRIPTION
EE-2454	\$160	Reference Book: The Industrial Electronics Handbook



MOST POPULAR MODELS HIGHLIGHTED!

To Order (Specify Model Number)				
Models with G 1/8 and G 1/4 Female Pressure Connection, Specify Electrical Termination				
RANGE		MODEL NO.	PRICE	COMPATIBLE METERS*
DIFFERENTIAL PRESSURE				
0 to 130 mbar	0 to 1.9 psi	PXM82MB[*]-130mBARD5V	\$950	DP41-S, DP25B-S
0 to 190 mbar	0 to 2.8 psi	PXM82MB[*]-190mBARD5V	950	DP41-S, DP25B-S
0 to 250 mbar	0 to 3.6 psi	PXM82MB[*]-250mBARD5V	950	DP41-S, DP25B-S
0 to 370 mbar	0 to 5.4 psi	PXM82MB[*]-370mBARD5V	950	DP41-S, DP25B-S
0 to 500 mbar	0 to 7.3 psi	PXM82MB[*]-500mBARD5V	950	DP41-S, DP25B-S
0 to 750 mbar	0 to 11 psi	PXM82MB[*]-750mBARD5V	950	DP41-S, DP25B-S
0 to 1.00 bar	0 to 15 psi	PXM82MB[*]-001BARD5V	950	DP41-S, DP25B-S
0 to 1.25 bar	0 to 18 psi	PXM82MB[*]-1.25BARD5V	950	DP41-S, DP25B-S
0 to 2.00 bar	0 to 30 psi	PXM82MB[*]-002BARD5V	950	DP41-S, DP25B-S

Comes with 5-point calibration.
[*] Insert "0" for 3 m (10') cable, "1" for twist-lock connector or "6" for micro DIN connector.
* See section D for compatible meters.

To order extra cable on cable-style models, add suffix "-(Total length in meters)M" and \$6.50/m beyond the standard 3 m (10') length.
Ordering Examples: PXM82MD0-130mBARD5V-10M, 130 mbar differential pressure transmitter with 0.5 to 5.5 Vdc output and 10 m (32') cable, \$950 + (7 x 6.50) = \$995.50.
PXM82MD1-001BARD5V, 1 bar differential pressure transmitter with 0.5 to 5.5 Vdc output and twist-lock connector, \$950. PT06F-10-6S, mating connector (not included), \$26.50.

HOW TO ORDER PXM82 SERIES LOW-RANGE WET/WET INDUSTRIAL DIFFERENTIAL TRANSMITTER WITH 4 TO 20 mA OUTPUT

PXM82 Series
4 to 20 mA Output
0-130 mbar to 0-2 bar
0-2 to 0-30 psi
Differential Pressure

All Ranges
\$950
mA Unit



- ✓ mbar Differential at Line Pressure—Up to 100 bar
- ✓ FM Approved Intrinsically Safe
- ✓ Stainless Steel/Inconel® Construction for Harsh Industrial Environments
- ✓ High Overpressure Capability
- ✓ High Operating Temperature
- ✓ 5-Point Calibration Provided: 0%, 50%, 100%, 50%, 0%

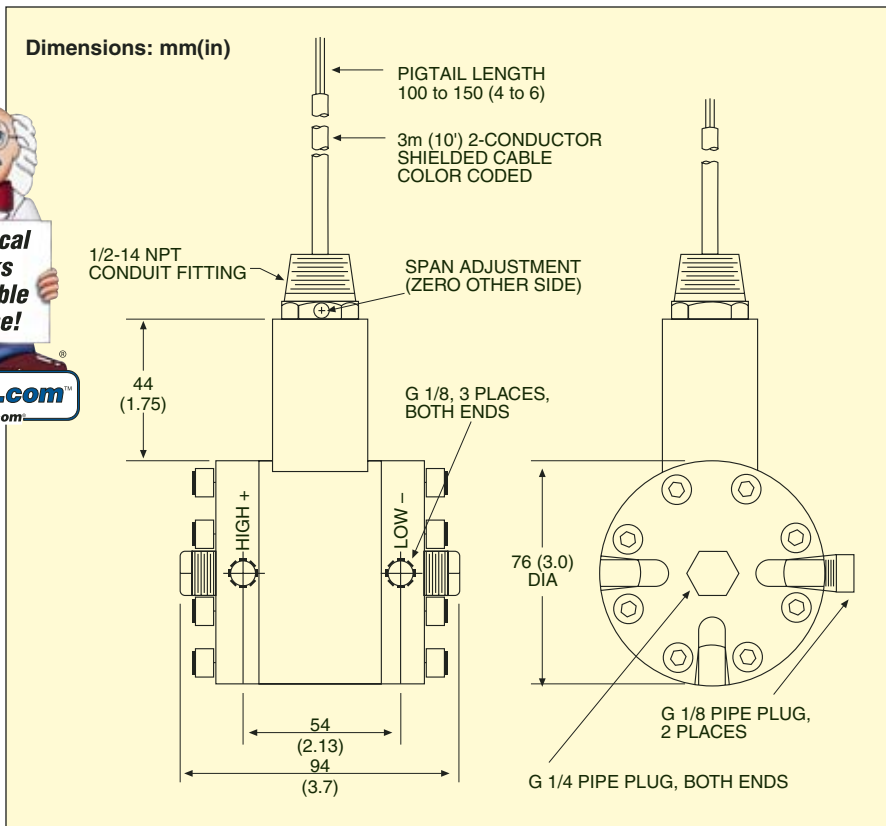
4 to 20 mA Output
ELECTRICAL

Excitation: 10 to 40 Vdc

Output: 4 to 20 mA ±10% adj

Zero Balance: 4 mA +10% -2% adj

PXM82MB1-190mBARDI, \$950, shown smaller than actual size.



MOST POPULAR MODELS HIGHLIGHTED!

To Order (Specify Model Number)

Models with G 1/2 and G 1/4 Female Pressure Connection, Specify Electrical Termination

RANGE	MODEL NO.	PRICE	COMPATIBLE METERS*
DIFFERENTIAL PRESSURE			
0 to 130 mbar	0 to 1.9 psi	PXM82MB[*]-130mBARDI	\$950 DP41-S, DP25B-S
0 to 190 mbar	0 to 2.8 psi	PXM82MB[*]-190mBARDI	950 DP41-S, DP25B-S
0 to 250 mbar	0 to 3.6 psi	PXM82MB[*]-250mBARDI	950 DP41-S, DP25B-S
0 to 370 mbar	0 to 5.4 psi	PXM82MB[*]-370mBARDI	950 DP41-S, DP25B-S
0 to 500 mbar	0 to 7.3 psi	PXM82MB[*]-500mBARDI	950 DP41-S, DP25B-S
0 to 750 mbar	0 to 11 psi	PXM82MB[*]-750mBARDI	950 DP41-S, DP25B-S
0 to 1.00 bar	0 to 15 psi	PXM82MB[*]-001BARDI	950 DP41-S, DP25B-S
0 to 1.25 bar	0 to 18 psi	PXM82MB[*]-1.25BARDI	950 DP41-S, DP25B-S
0 to 2.00 bar	0 to 30 psi	PXM82MB[*]-002BARDI	950 DP41-S, DP25B-S

Comes with 5-point calibration.

[*] Insert "0" for 3 m (10') cable, "1" for twist-lock connector or "6" for micro DIN connector

* See Section D for compatible meters.

To order extra cable on cable-style models, add suffix "--(Total length in meters)M" and \$6.50/m beyond the standard 3 m (10') length.

Ordering Examples: PXM82MD0-130mBARDI-10M, 130 mbar differential pressure transmitter with 4 to 20 mA output and 10 m (32') cable, \$950 + (7 x 6.50) = \$995.50. PXM82MD1-001BARDI, 1 bar differential pressure transmitter with 4 to 20 mA output and twist-lock connector, \$950. PT06F-10-6S, mating connector (not included), \$26.50.

ACCESSORY

MODEL NO.	PRICE	DESCRIPTION
CE-1920	\$190	Reference Book: Thin Plates and Shells

omega.co.uk[®]

Your One-Stop Source for Process Measurement and Control!

Freephone 0800 488 488 | International +44(0) 161 777 6622 | Fax +44(0) 161 777 6622 | Sales@omega.co.uk

www.omega.co.uk



UNITED STATES

www.omega.com

1-800-TC-OMEGA
Stamford, CT.

CANADA

www.omega.ca

Laval(Quebec)
1-800-TC-OMEGA

GERMANY

www.omega.de

Deckenfronn, Germany
0800-8266342

UNITED KINGDOM

www.omega.co.uk

Manchester, England
0800-488-488
+44-(0)161-777-6611

FRANCE

www.omega.fr

0800-466-342

BENELUX

www.omega.nl

0800-099-33-44



More than 100,000 Products Available!

• Temperature

Calibrators, Connectors, General Test and Measurement Instruments, Handheld Instruments for Temperature Measurement, Ice Point References, Indicating Labels, Crayons, Cements and Lacquers, Infrared Temperature Measurement Instruments, Recorders, Relative Humidity Measurement Instruments, PT100 Probes, PT100 Elements, Temperature & Process Meters, Timers and Counters, Temperature and Process Controllers and Power Switching Devices, Thermistor Elements, Probes and Assemblies, Thermocouples, Thermowells and Head and Well Assemblies, Transmitters, Thermocouple Wire, RTD Probes

• Flow and Level

Air Velocity Indicators, Doppler Flowmeters, Level Measurement, Magnetic Flowmeters, Mass Flowmeters, Pitot Tubes, Pumps, Rotameters, Turbine and Paddle Wheel Flowmeters, Ultrasonic Flowmeters, Valves, Variable Area Flowmeters, Vortex Shedding Flowmeters

• pH and Conductivity

Conductivity Instrumentation, Dissolved Oxygen Instrumentation, Environmental Instrumentation, pH Electrodes and Instruments, Water and Soil Analysis Instrumentation

• Data Acquisition

Communication Products and Converters, Data Acquisition and Analysis Software, Data Loggers Plug-in Cards, Signal Conditioners, USB, RS232, RS485, Ethernet and Parallel Port Data Acquisition Systems, Wireless Transmitters and Receivers

• Pressure, Strain and Force

Displacement Transducers, Dynamic Measurement Force Sensors, Instrumentation for Pressure and Strain Measurements, Load Cells, Pressure Gauges, Pressure Reference Section, Pressure Switches, Pressure Transducers, Proximity Transducers, Regulators, Pressure Transmitters, Strain Gauges, Torque Transducers, Valves

• Heaters

Band Heaters, Cartridge Heaters, Circulation Heaters, Comfort Heaters, Controllers, Meters and Switching Devices, Flexible Heaters, General Test and Measurement Instruments, Heater Hook-up Wire, Heating Cable Systems, Immersion Heaters, Process Air and Duct, Heaters, Radiant Heaters, Strip Heaters, Tubular Heaters