

REACTION TORQUE CELLS

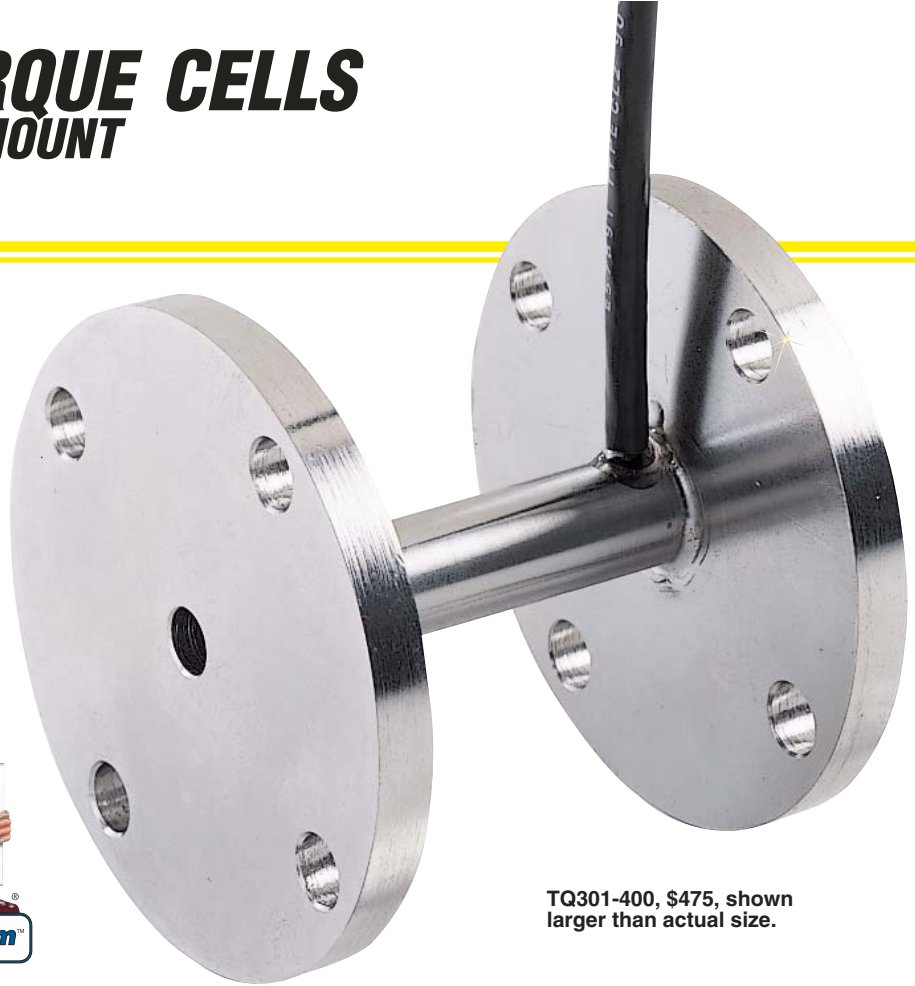
FLANGE-TO-FLANGE MOUNT

TQ301 Series

Reaction Torque
0 to 400 in-lb
0 to 45 N-m

1 N-m = 0.7375 ft-lb
1 ft-lb = 1.356 N-m
1 N-m = 8.85 in-lb
1 ft-lb = 12 in-lb

TQ301-400
\$475



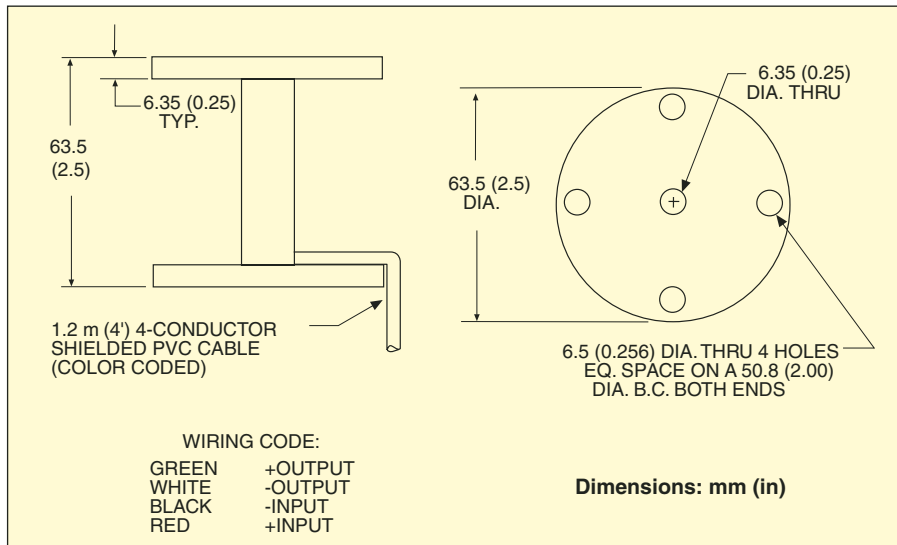
TQ301-400, \$475, shown larger than actual size.

- ✓ All Stainless Steel Case for Long-Term Reliability in Industrial Environments
- ✓ High Accuracy
- ✓ Shielded Cable for Precise Low-Noise Measurements
- ✓ Heavy-Duty Mounting for Positive, Non-Slip Connection

SPECIFICATIONS

Output: 2 mV/V
Excitation: 10 Vdc, 15 V max
Input Resistance: 360 Ω min
Output Resistance: 350 ±5 Ω
Accuracy Class: ±0.2% FSO
Linearity, Hysteresis and Repeatability: ±0.2% FSO combined
Zero Balance: ±2% FSO
Compensated Temp Range: 16 to 71°C (60 to 160°F)
Operating Temp Range: -54 to 107°C (-65 to 225°F)
Thermal Effects:
Zero: ±0.005% FSO/°F
Span: ±0.005% rdg/°F

Safe Overload: 150% of capacity
Ultimate Overload: 300% of capacity
Construction: Stainless steel
Electrical: 1.2 m (4') 4-conductor, shielded, color-coded PVC cable



MOST POPULAR MODELS HIGHLIGHTED!

To Order (Specify Model Number)

RANGE	MODEL NO.	PRICE	COMPATIBLE METERS*
0 to 400 in-lb	TQ301-400	\$475	DP41-S, DP25B-S
METRIC RANGE			
0 to 45 N-m	TQM301-400	\$475	DP41-S, DP25B-S

Comes with 5-point calibration.

* See section D for compatible meters.

Ordering Example: TQ301-400, 400 in-lb range reaction torque sensor, \$475.

ACCESSORY

MODEL NO.	PRICE	DESCRIPTION
ME-1804	\$125	Reference Book: Mechanical Engineer's Handbook

omega.co.uk[®]

Your One-Stop Source for Process Measurement and Control!

Freephone 0800 488 488 | International +44(0) 161 777 6622 | Fax +44(0) 161 777 6622 | Sales@omega.co.uk

www.omega.co.uk



UNITED STATES

www.omega.com

1-800-TC-OMEGA
Stamford, CT.

CANADA

www.omega.ca

Laval(Quebec)
1-800-TC-OMEGA

GERMANY

www.omega.de

Deckenfronn, Germany
0800-8266342

UNITED KINGDOM

www.omega.co.uk

Manchester, England
0800-488-488
+44-(0)161-777-6611

FRANCE

www.omega.fr

0800-466-342

BENELUX

www.omega.nl

0800-099-33-44



More than 100,000 Products Available!

• Temperature

Calibrators, Connectors, General Test and Measurement Instruments, Handheld Instruments for Temperature Measurement, Ice Point References, Indicating Labels, Crayons, Cements and Lacquers, Infrared Temperature Measurement Instruments, Recorders, Relative Humidity Measurement Instruments, PT100 Probes, PT100 Elements, Temperature & Process Meters, Timers and Counters, Temperature and Process Controllers and Power Switching Devices, Thermistor Elements, Probes and Assemblies, Thermocouples, Thermowells and Head and Well Assemblies, Transmitters, Thermocouple Wire, RTD Probes

• Flow and Level

Air Velocity Indicators, Doppler Flowmeters, Level Measurement, Magnetic Flowmeters, Mass Flowmeters, Pitot Tubes, Pumps, Rotameters, Turbine and Paddle Wheel Flowmeters, Ultrasonic Flowmeters, Valves, Variable Area Flowmeters, Vortex Shedding Flowmeters

• pH and Conductivity

Conductivity Instrumentation, Dissolved Oxygen Instrumentation, Environmental Instrumentation, pH Electrodes and Instruments, Water and Soil Analysis Instrumentation

• Data Acquisition

Communication Products and Converters, Data Acquisition and Analysis Software, Data Loggers Plug-in Cards, Signal Conditioners, USB, RS232, RS485, Ethernet and Parallel Port Data Acquisition Systems, Wireless Transmitters and Receivers

• Pressure, Strain and Force

Displacement Transducers, Dynamic Measurement Force Sensors, Instrumentation for Pressure and Strain Measurements, Load Cells, Pressure Gauges, Pressure Reference Section, Pressure Switches, Pressure Transducers, Proximity Transducers, Regulators, Pressure Transmitters, Strain Gauges, Torque Transducers, Valves

• Heaters

Band Heaters, Cartridge Heaters, Circulation Heaters, Comfort Heaters, Controllers, Meters and Switching Devices, Flexible Heaters, General Test and Measurement Instruments, Heater Hook-up Wire, Heating Cable Systems, Immersion Heaters, Process Air and Duct, Heaters, Radiant Heaters, Strip Heaters, Tubular Heaters